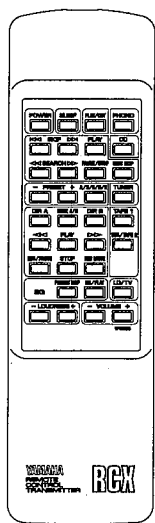
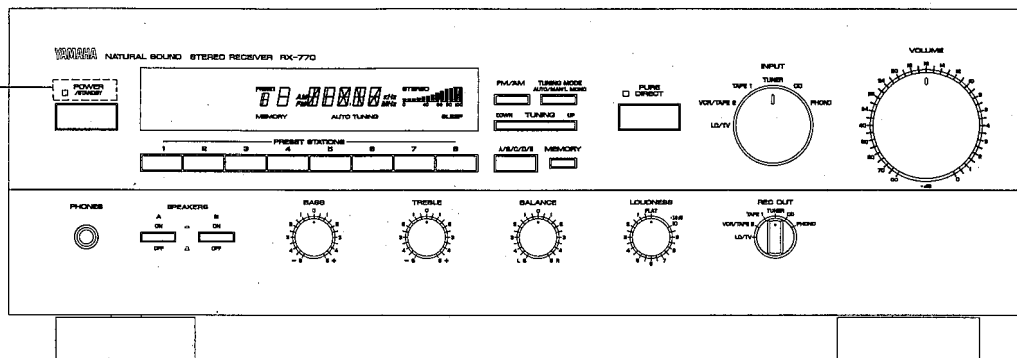


# STEREO RECEIVER RX-770

## SERVICE MANUAL

W model only



### IMPORTANT NOTICE

This manual has been provided for the use of authorized YAMAHA Retailers and their service personnel. It has been assumed that basic service procedures inherent to the industry, and more specifically YAMAHA Products, are already known and understood by the users, and have therefore not been restated.

**WARNING:** Failure to follow appropriate service and safety procedures when servicing this product may result in personal injury, destruction of expensive components, and failure of the product to perform as specified. For these reasons, we advise all YAMAHA product owners that any service required should be performed by an authorized YAMAHA Retailer or the appointed service representative.

**IMPORTANT:** The presentation or sale of this manual to any individual or firm does not constitute authorization, certification or recognition of any applicable technical capabilities, or establish a principle-agent relationship of any form.

The data provided is believed to be accurate and applicable to the unit(s) indicated on the cover. The research, engineering, and service departments of YAMAHA are continually striving to improve YAMAHA products. Modifications are, therefore, inevitable and specifications are subject to change without notice or obligation to retrofit. Should any discrepancy appear to exist, please contact the distributor's Service Division.

**WARNING:** Static discharges can destroy expensive components. Discharge any static electricity your body may have accumulated by grounding yourself to the ground buss in the unit (heavy gauge black wires connect to this buss).

**IMPORTANT:** Turn the unit OFF during disassembly and part replacement. Recheck all work before you apply power to the unit.

### CONTENTS

TO SERVICE PERSONNEL .....	1	DISPLAY DATA .....	12
REAR PANELS .....	1~2	μ-COM DATA .....	13~14
SPECIFICATIONS .....	3~4	TEST POINT WAVEFORMS .....	15
INTERNAL VIEW .....	4	PRINTED CIRCUIT BOARD .....	16~25
DISASSEMBLY PROCEDURES .....	5	FRONT END PACK .....	26
ADJUSTMENT IN POWER AMPLIFIER SECTION .....	5	IC BLOCK .....	27
ADJUSTMENT IN TUNER SECTION .....	6~9	SCHEMATIC DIAGRAM .....	28~30
TEST MODE .....	9	PARTS LIST .....	31~39
BLOCK DIAGRAM .....	10~11	REMOTE CONTROL TRANSMITTER .....	40

100434

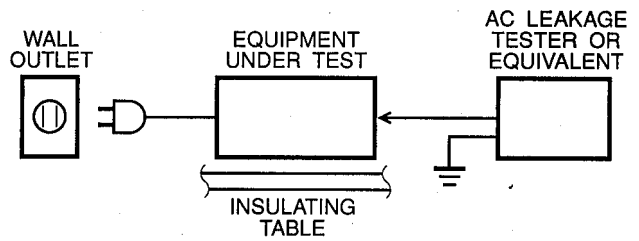
Copyright 2003 YAMAHA CORPORATION  
This manual is copyrighted by YAMAHA and may not be copied or redistributed either in print or electronically without permission.

**YAMAHA**  
YAMAHA CORPORATION  
P.O.Box1.Hamamatsu.Japan  
2.5K-314 Printed in Japan '93.3

RX-770

## ■ TO SERVICE PERSONNEL

1. Critical Components Information.  
Components having special characteristics are marked and must be replaced with parts having specifications equal to those originally installed.
2. Leakage Current Measurement (For 120V Models Only).  
When service has been completed, it is imperative to verify that all exposed conductive surfaces are properly insulated from supply circuits.
  - Meter impedance should be equivalent to 1500 ohm shunted by 0.15 $\mu$ F.
  - Leakage current must not exceed 0.5mA.
  - Be sure to test for leakage with the AC plug in both polarities.



RX-770

## WARNING: CHEMICAL CONTENT NOTICE!

The solder used in the production of this product contains LEAD. In addition, other electrical/electronic and/or plastic (where applicable) components may also contain traces of chemicals found by the California Health and Welfare Agency (and possibly other entities) to cause cancer and/or birth defects or other reproductive harm.

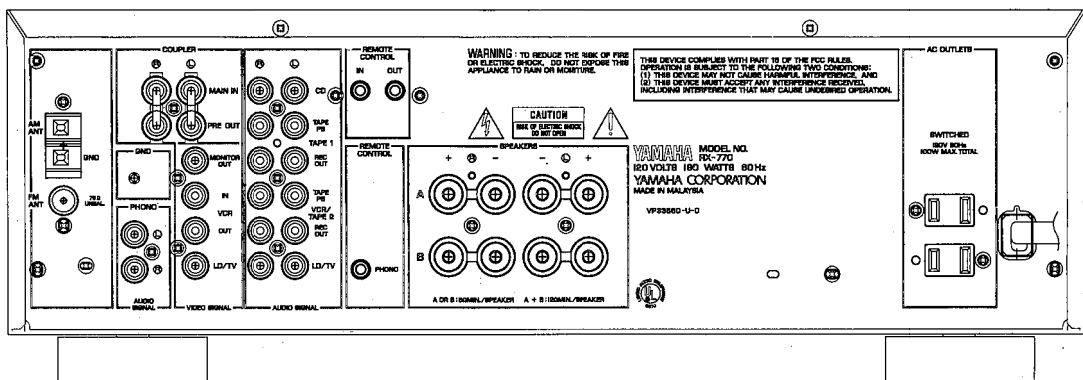
**DO NOT PLACE SOLDER, ELECTRICAL/ELECTRONIC OR PLASTIC COMPONENTS IN YOUR MOUTH FOR ANY REASON WHATSOEVER!**

Avoid prolonged, unprotected contact between solder and your skin! When soldering, do not inhale solder fumes or expose eyes to solder/flux vapor!

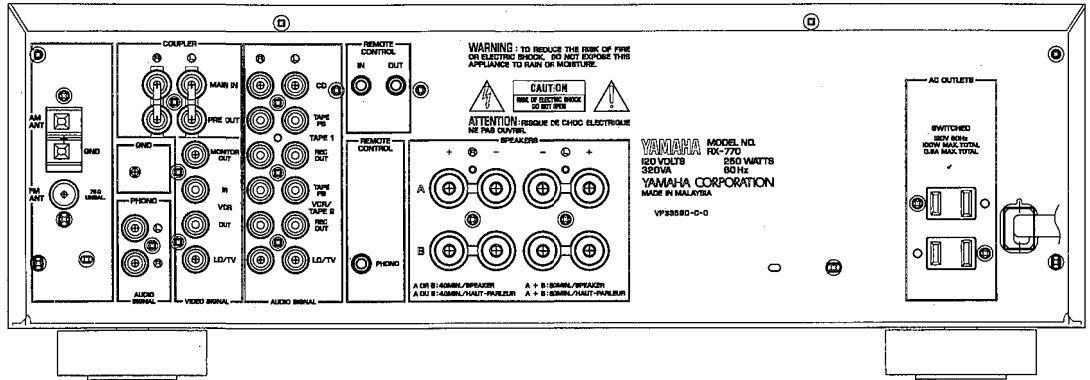
If you come in contact with solder or components located inside the enclosure of this product, wash your hands before handling food.

## ■ REAR PANELS

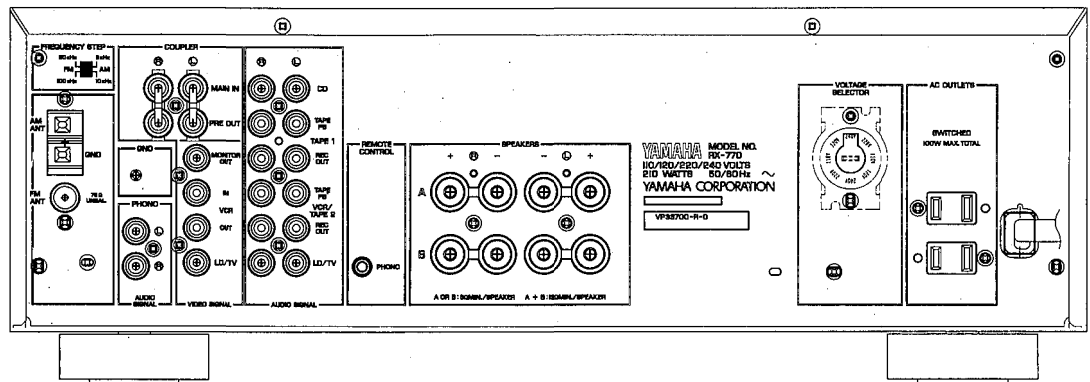
### ▼ U model



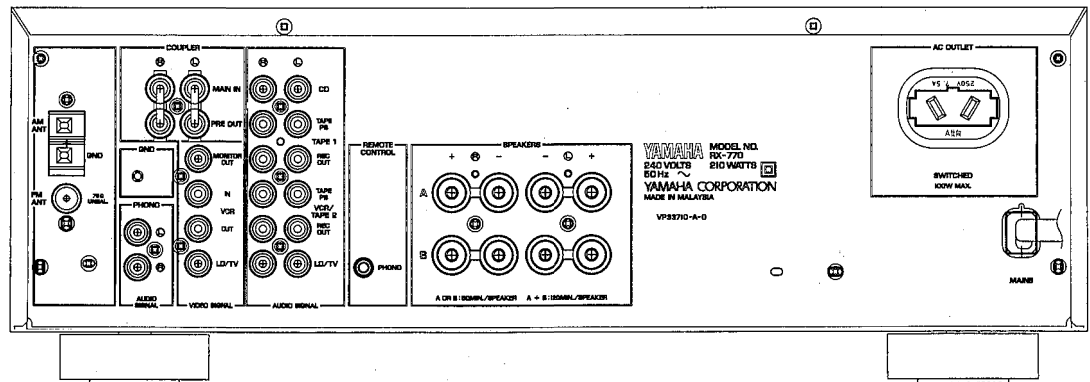
▼ C model



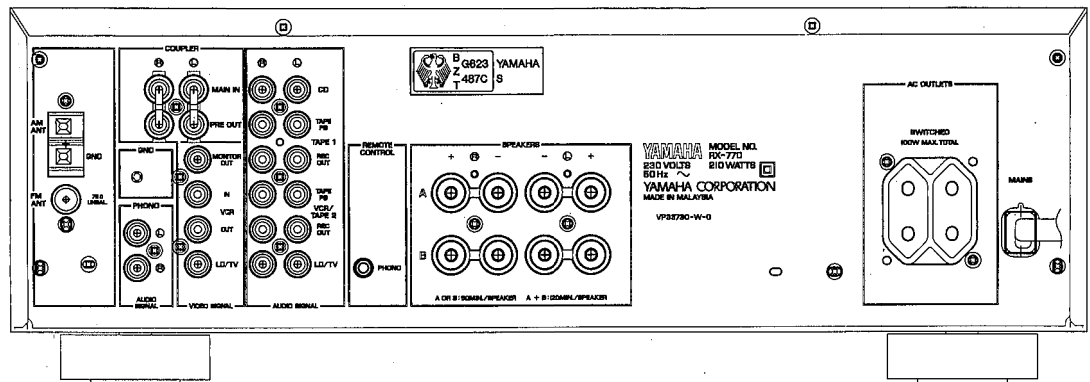
▼ R model



▼ A model



▼ W model



RX-770

## ■ SPECIFICATIONS

### ■ AUDIO SECTION

<b>Minimum RMS Output Power per Channel</b>	
8Ω, 20Hz to 20kHz, 0.019% THD	85W
6Ω, 20Hz to 20kHz, 0.038% THD	100W
<b>Dynamic Power per Channel (IHF)</b>	
8/6/4/2Ω	130/150/185/220W
<b>DIN Standard Output Power per Channel</b>	
4Ω, 1kHz, 0.7% THD	
W model only	120W
<b>IEC Power (1kHz, 0.019% THD, 8Ω)</b>	
W model only	100W
<b>Power Band Width</b>	
8Ω, 42.5W, 0.038% THD	10Hz to 50kHz
<b>Damping Factor</b>	
8Ω, 20Hz to 20kHz (Except W model)	240 or more
<b>Input Sensitivity/Impedance</b>	
PHONO MM	2.5mV/47kΩ
CD etc	150mV/47kΩ
MAIN IN	1V/10kΩ
<b>Maximum Input Signal Level (1kHz, 0.01% THD)</b>	
PHONO MM	115mV
<b>Output Level/Impedance</b>	
REC OUT	150mV/1kΩ
PRE OUT	1V/470Ω
<b>Headphone Jack Rated Output/Impedance</b>	
0.019% THD, RL= 8Ω	0.44V/470Ω
<b>Frequency Response (20Hz to 20kHz)</b>	
CD etc	0±0.5dB
MAIN IN	0±0.5dB
<b>RIAA Equalization Deviation (20Hz to 20kHz)</b>	
PHONO MM	0±0.3dB
<b>Total Harmonic Distortion (20Hz to 20kHz)</b>	
PHONO MM to REC OUT (3V)	0.003%
CD etc to PRE OUT (1V)	0.005%
CD etc to SP OUT (42.5W/8Ω)	0.008%
MAIN IN to SP OUT (42.5W/8Ω)	0.008%
<b>Intermodulation Distortion</b>	
CD etc (Rated Output/8Ω)	0.01%
<b>Signal-to-Noise Ratio (IHF-A Network)</b>	
(Pure Direct SW ON)	
PHONO MM (5mV Input Shorted)	88dB
CD etc (Shorted)	110dB
<b>Residual Noise (IHF-A Network)</b>	
(Pure Direct SW ON)	70μV
<b>Channel Separation (Vol. -30dB)</b>	
CD etc 1kHz/10kHz (Input 5.1kΩ Terminated)	65dB/50dB
<b>Tone Control Characteristics</b>	
BASS : Boost/cut	0±10dB (20Hz)
TREBLE : Boost/cut	0±10dB (20kHz)
<b>Continuous Loudness Control</b>	
(Level related equalization)	

### ■ VIDEO SECTION

<b>Video Signal</b>	
Input/Output	1Vp-p/75Ω

### ■ FM SECTION

<b>Tuning Range</b>	
U, C, R models	87.5 to 107.9MHz
A, W, R models	87.5 to 108.0MHz
<b>50dB Quieting Sensitivity (IHF, 75Ω)</b>	
Except W model	
Mono	1.55μV (15.1dBf)
Stereo	21μV (37.7dBf)
<b>Usable Sensitivity (75Ω)</b>	
(30dB S/N Quieting, 1kHz, 100% mod.)	
Except W model	0.8μV (9.3dBf)
DIN, Mono (S/N 26dB) W model	0.9μV
DIN, Stereo (S/N 46dB) W model	24μV
<b>Image Response Ratio</b>	
Except W model	45dB
W model	75dB
<b>IF Response Ratio</b>	
Except W model	80dB
W model	75dB
<b>Spurious Response Ratio</b>	70dB
<b>AM Suppression Ratio</b>	55dB
<b>Capture Ratio</b>	1.5dB
<b>Alternate Channel Selectivity</b>	
Except W model	85dB
<b>Selectivity (two signals, 40kHz Dev.)</b>	
W model	70dB
<b>Signal-to-Noise Ratio</b>	
(IHF) Mono/Stereo	
Except W model	81/76dB
(DIN-weighted, 40kHz Dev.) Mono/Stereo	
W model	75/70dB
<b>Harmonic Distortion (1kHz)</b>	
Mono/Stereo	
Except W model	0.1/0.2%
Mono/Stereo (40kHz Dev.)	
W model	0.1/0.2%
<b>Frequency Response</b>	
20Hz to 15kHz	0±1.5dB
<b>Stereo Separation (1kHz)</b>	
Except W model	50dB
W model (40kHz Dev.)	50dB

### ■ AM SECTION

<b>Tuning Range</b>	
U, C, R models	530 to 1,710kHz
A, W, R models	531 to 1,611kHz
<b>Usable Sensitivity</b>	100μV/m
<b>Selectivity</b>	32dB
<b>Signal-to-Noise Ratio</b>	50dB
<b>Image Response Ratio</b>	40dB
<b>Spurious Response Ratio</b>	50dB
<b>Harmonic Distortion (400Hz)</b>	0.3%

### ● AUDIO SECTION

<b>Output Level/Impedance</b>	
FM (100% mod., 1kHz)	
Except W model	700mV/2.9kΩ
W model (40kHz Dev.)	400mV/3.3kΩ
AM (30% mod., 400Hz)	
Except W model	200mV/2.9kΩ
W model	150mV/3.3kΩ

**■ GENERAL**

**Power Supply**

- U, C models .....AC 120V, 60Hz
- A model .....AC 240V, 50Hz
- W model .....AC 230V, 50Hz
- R model .....AC 110/120/220/240V, 60/50Hz

**Power Consumption**

- U model .....190W
- C model .....320VA 250W
- R model .....210W
- A, W models .....210W

**AC Outlets**

- Switched x 2
- U, C, R, W models .....100W max. (Total)
- Switched x 1
- A model .....100W max.

**Dimensions (W x H x D) .....435 x 150 x 388.5mm**  
 (17-1/8" x 5-7/8" x 15-5/16")

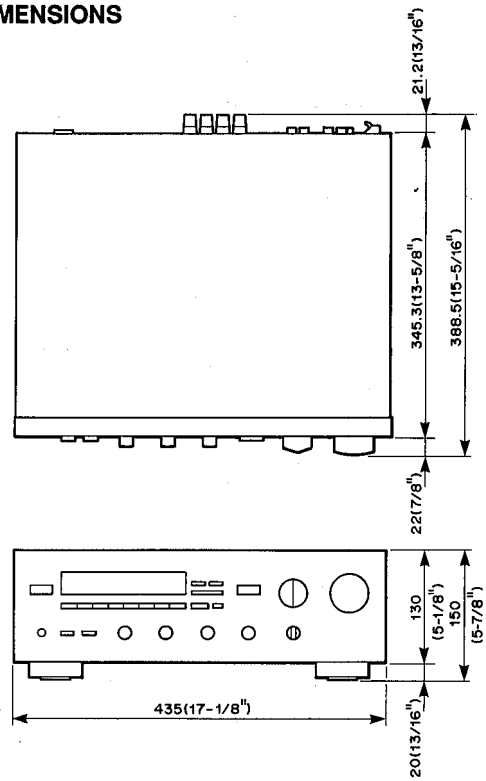
**Weight .....10 kg (22 lbs. 1 oz.)**

- Accessories** .....AM loop antenna x 1  
 Indoor FM antenna x 1  
 Remote Control Transmitter x 1  
 Battery (size "AA," R06) x 2

*\* Specifications subject to change without notice.*

- U .....USA model
- C .....Canadian model
- A .....Australian model
- W .....German model
- R .....General model

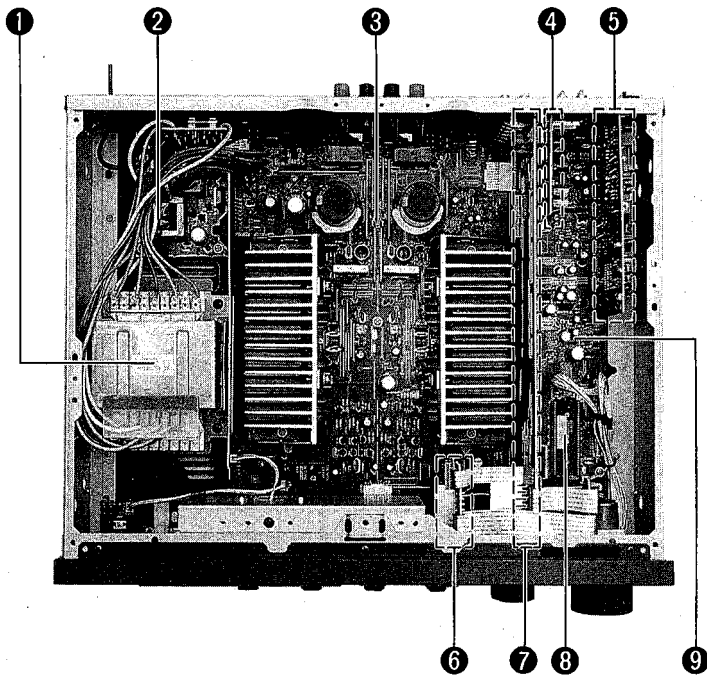
**● DIMENSIONS**



Units : mm (Inch)

RX-770

**■ INTERNAL VIEW**



- ① POWER TRANSFORMER
- ② MAIN P. C. B. ASS'Y (2)
- ③ MAIN P. C. B. ASS'Y (1)
- ④ FUNCTION P. C. B. ASS'Y (5)
- ⑤ TUNER P. C. B. ASS'Y
- ⑥ MAIN P. C. B. ASS'Y (4)
- ⑦ FUNCTION P. C. B. ASS'Y (2)
- ⑧ 8 bit  $\mu$ -COM (IC306 : M38002M2)
- ⑨ FUNCTION P. C. B. ASS'Y (1)

## DISASSEMBLY PROCEDURES

(Remove parts in the order as numbered.)

### 1. Removal of Top Cover

Remove 7 screws ( ① ) in Fig. 1.

### 2. Removal of Bottom Cover

Remove 20 screws ( ② ) in Fig. 1.

### 3. Removal of Front Panel

Remove 3 screws ( ③ ) in Fig. 1.

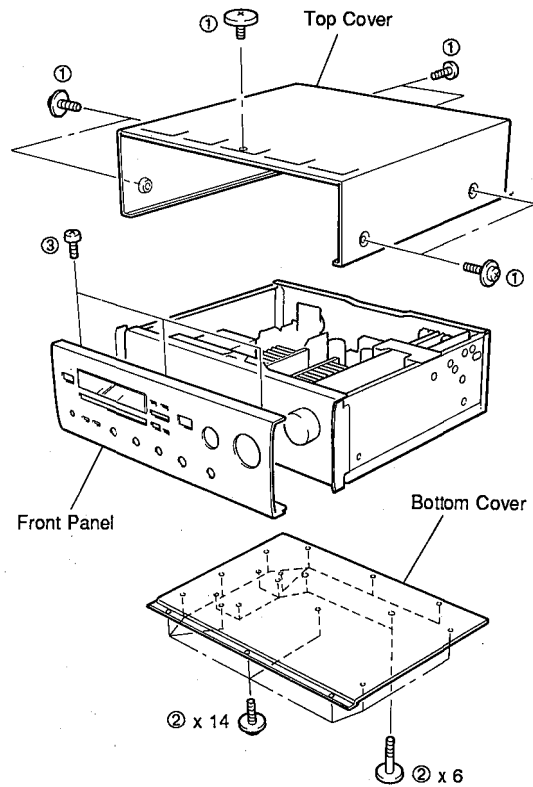
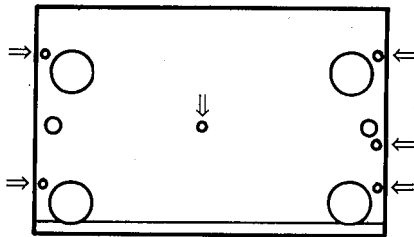


Fig. 1

**CAUTION FOR SERVICING-USE ONLY  
COPPER COLORED SCREWS (3X10 ø8) FOR  
POINTS INDICATED BY ARROWS (⇐).**



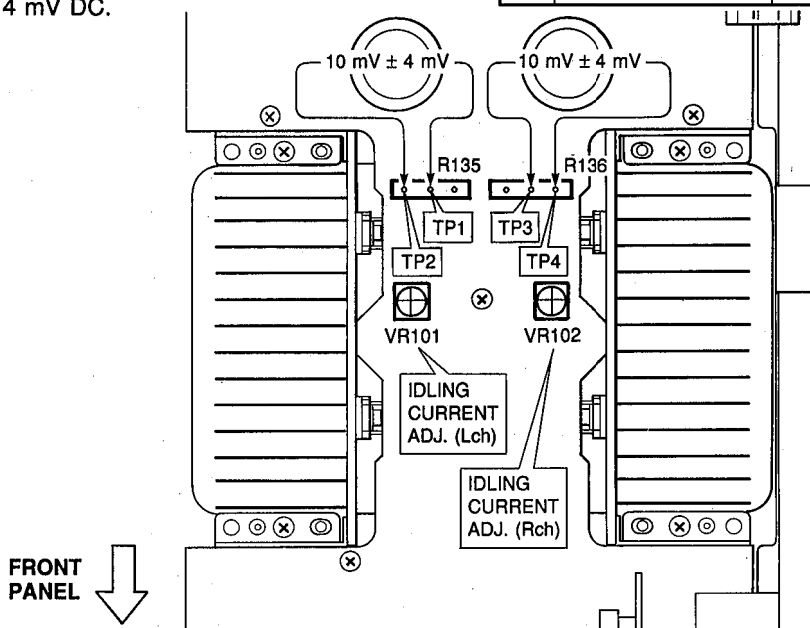
RX-770

## ADJUSTMENT IN POWER AMPLIFIER SECTION

### IDLING CURRENT ADJUSTMENT

When replacing the power and drive transistors, adjust idling current. After the power has been turned on, age about 10 minutes in non loaded condition. Adjust VR101 (Lch) and VR102 (Rch) so that the voltage across the terminals of R135 (TP1 — TP2) and R136 (TP3 — TP4) come to  $10\text{ mV} \pm 4\text{ mV DC}$ .

	Test points	Adjustment point	Rating
Lch	Across the terminals of R135 (TP1—TP2)	VR101	$10\text{ mV} \pm 4\text{ mV DC}$
Rch	Across the terminals of R136 (TP3—TP4)	VR102	$10\text{ mV} \pm 4\text{ mV DC}$

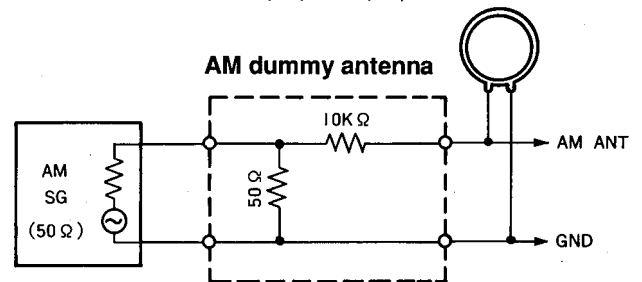
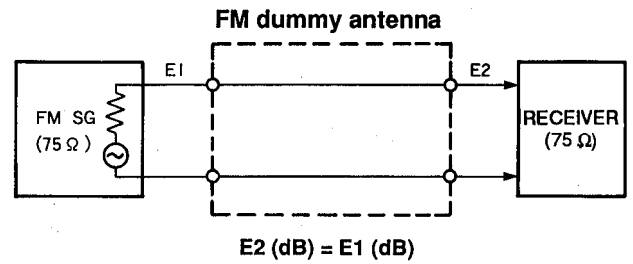
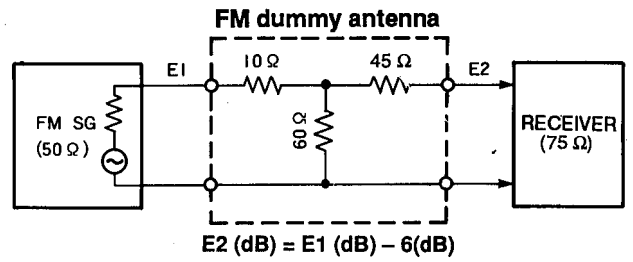


## ADJUSTMENT IN TUNER SECTION

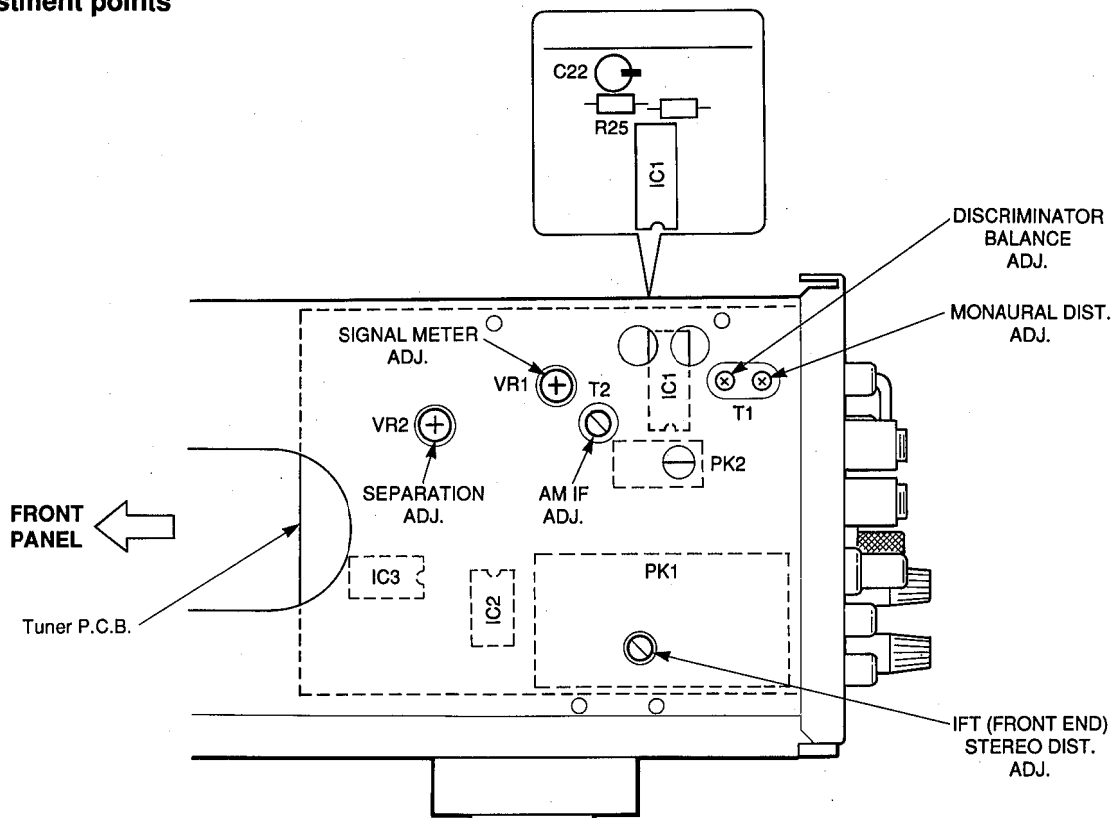
### Measuring Instruments

- FM signal generator (FM SG)
- Stereo signal generator (SSG)
- AM signal generator (AM SG)
- Distortion meter (DIST. M)
- AC voltmeter (ACVM)
- DC voltmeter (DCVM)
- Oscilloscope
- Low pass filter (YLF-15,  $f_c=15\text{kHz}$ )
- Low frequency oscillator

### Dummy antenna



### Adjustment points



**FM Adjustment**

● **Before Adjustment**

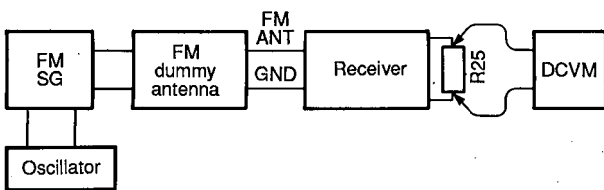
- 1) For dB,  $1\mu V=0dB\mu$  applies.  
Example :  $60dB\mu=1mV$
- 2) 100% modulation means that the frequency deviation is 75kHz. (R, U, C, A)
- 3) For the W model, Frequency Deviation is 40kHz.
- 4) Install the Matching Transformer and connect FM SG.

- 5) Set each switch at the following position unless otherwise specified.

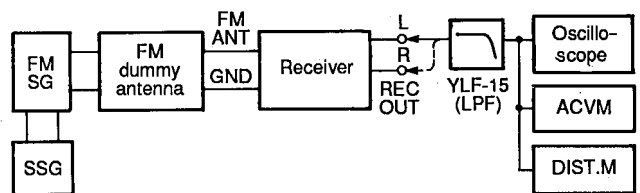
INPUT SELECTOR.....TUNER  
 REC OUT .....TUNER  
 TUNING MODE ..... AUTO

● **Connection diagram (Measuring instruments)**

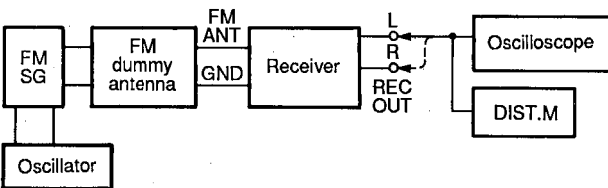
1) **Discriminator balance adjustment**



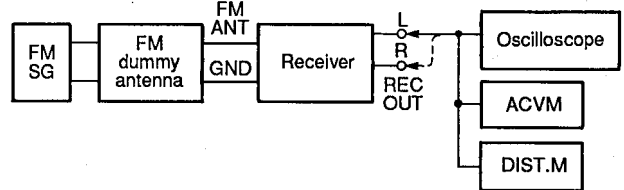
3) **Stereo distortion adjustment/separation adjustment**



2) **Monaural distortion adjustment**



4) **Sensitivity Verification**



Step	Adjustment item	Signal (ANT IN)	Reception frequency	Adjusted point	Test point	Rating
1	Rough adjustment of discriminator balance	FM ANT (75Ω) 98.1MHz 70dBμ MONO 100Hz 100% modulation	98.1MHz *(A-4)	T1 (IC side core)	Both ends of R25	DC 0V±100mV
2	Rough adjustment of monaural distortion	Same as Step 1.	98.1MHz *(A-4)	T1 (Antenna side core)	REC OUT L, R	Minimize the distortion.
3	Fine adjustment of discriminator balance	Same as Step 1.	98.1MHz *(A-4)	T1 (IC side core)	Both ends of R25	DC 0V±50mV
4	Fine adjustment of monaural distortion	Same as Step 1.	98.1MHz *(A-4)	T1 (Antenna side core)	REC OUT L, R	Minimize the distortion (to 0.25% or less).
5	Verification of discriminator balance	Same as Step 1.	98.1MHz *(A-4)	T1 (IC side core)	Both ends of R25	DC 0V±50mV
6	Stereo distortion	FM ANT (75Ω) 98.1MHz 70dBμ Stereo (L or R) 1kHz, 100% modulation	98.1MHz *(A-4) *Tuning mode should be AUTO.	Front end IFT	REC OUT L, R	Distortion should be minimized (1% or less) * STEREO indicator should light. * Note that over-turning IFT will reduce sensitivity.
7	Verification of monaural distortion	FM ANT (75Ω) 98.1MHz 70dBμ MONO 1kHz, 100% modulation	98.1MHz *(A-4)		REC OUT L, R	0.4% or less



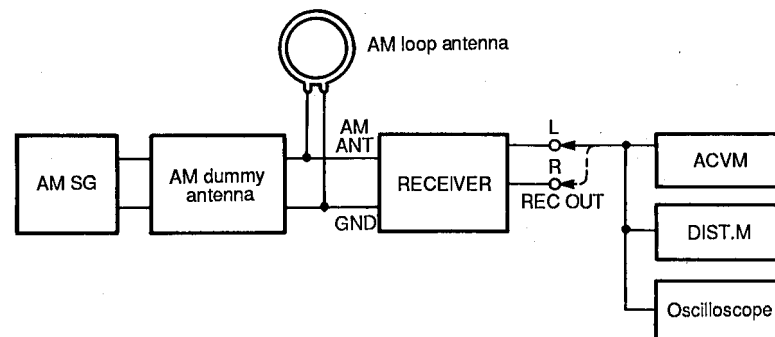
Step	Adjustment Item	Signal (ANT IN)	Reception frequency	Adjusted point	Test point	Rating
8	Verification of sensitivity	FM ANT (75Ω) 88.1MHz 98.1MHz 106.1MHz Less than 3dBμ (14.25dBf) MONO Modulation off	88.1MHz * (A-6) 98.1MHz * (A-4) 106.1MHz * (A-7)		ANT (75Ω)	Set the tuning mode to MAN'L MONO. S/N should be 30dB at each frequency of 88.1MHz, 98.1MHz, and 106.1MHz.
9	Separation	FM ANT (75Ω) 98.1MHz 70dBμ Stereo (L or R) 1kHz, 100% modulation	98.1MHz * (A-4)	VR2	REC OUT L, R	With SSG output at L or R, the signal leakage level at the other channel should be minimized. 36dB or more
10	Signal meter	FM ANT (75Ω) 98.1MHz 45dBμ MONO 1kHz 30% modulation	98.1MHz * (A-4)	VR1		Adjust so that all signal meters light.
		-10dBμ or less				Check to ensure that signal meters turn OFF.
11	Verification of auto tuning	FM ANT (75Ω) 98.1MHz 23dBμ Stereo (L or R) 1kHz, 30% modulation	98.1MHz			<ul style="list-style-type: none"> <li>Automatic reception should be available when the tuning key is pressed UP and DOWN.</li> <li>The stereo indicator should light.</li> <li>Audio muting should be applied during tuning.</li> </ul>

\* : Execution of MAKER PRESET (Refer to TEST MODE on page 9.) will facilitate setting reception frequency for adjustment.

**AM Adjustment (This should be done after FM adjustment.)**

● **Connection Diagram (Measuring instruments)**

1) **Adjustment of sensitivity**



Step	Adjustment Item	Signal (ANT IN)	Reception frequency	Adjusted point	Test point	Rating
1	Adjustment of sensitivity	AM ANT 630kHz 50dBμ 400Hz, 30% modulation	630kHz * (B-1)	T2	REC OUT	Audio output should be maximized.
2	Verification of sensitivity	AM ANT 630kHz 1080kHz 1440kHz 400Hz, 30% modulation	630kHz * (B-1) 1080kHz * (B-2) 1440kHz * (B-3)		AM ANT	Distortion should be 10% or less at each frequency. Check to ensure that the voltage at the ANT terminal is 54dBμ or less.
3	Verification of signal meter	AM ANT 1080kHz 90dBμ	1080kHz * (B-2)			All signal meters should light.
		-10dBμ or less				All signal meters should turn OFF.
4	Verification of auto tuning	AM ANT 60dBμ				Auto reception should be available when the tuning key is pressed UP and DOWN.

■ **TEST MODE**

**CAUTION :** Before setting to the TEST mode, write down the existing preset memory content of the Tuner in a table as shown below. (This is because setting to the TEST mode will cause the memory content to be as factory set, i.e., all the preset memory by the user will be erased.)

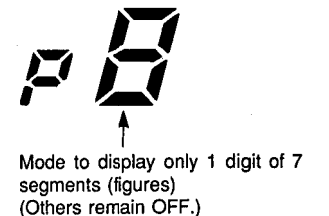
Preset group	P1	P2	P3	P4	P5	P6	P7	P8
A								
B								
C								
D								
E								

● **How to start**

Turn the POWER switch ON while pressing the PRESET STATION keys No.1, 2 and 3 simultaneously, and the unit enters the TEST mode for the display check. (ALL LIGHTS mode becomes effective immediately after starting.) After that, the DISPLAY mode switches by means of PRESET STATION key No.1, 2, 3 or 8.

● **Content of the TEST mode key**

- PRESET STATION "1" key : ALL LIGHTS ON mode
- PRESET STATION "2" key : LIGHTS OFF mode
- PRESET STATION "3" key : 7-segment (figure) display mode
- PRESET STATION "8" key : The mode is switched to the NORMAL mode when the TEST mode is cancelled.



● **How to cancel**

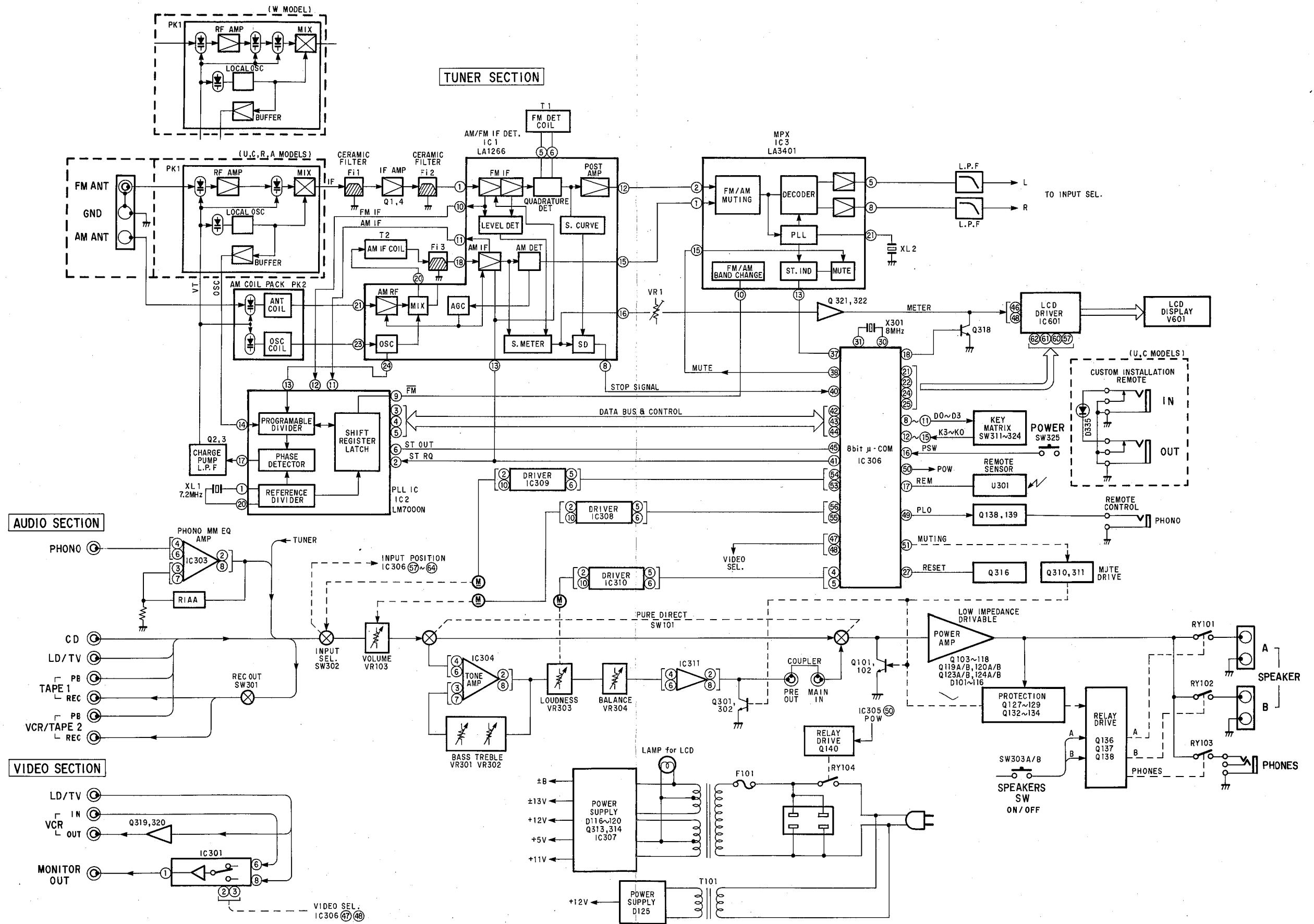
The normal operation is restored when the POWER switch is turned OFF or the PRESET STATION key No.8 pressed. At the same time, the factory preset memory is also restored.

● **Factory preset memory content**

Preset group	P1	P2	P3	P4	P5	P6	P7	P8
A / C / E	87.5MHz	90.1MHz	95.1MHz	98.1MHz	108MHz	88.1MHz	106.1MHz	107.9MHz (U, C) 108MHz (R, A, W)
B / D	630kHz	1080kHz	1440kHz	530kHz (U, C) 531kHz (R, A, W)	1710kHz (U, C) 1611kHz (R, A, W)	900kHz	1350kHz	1400kHz (U, C) 1404kHz (R, A, W)

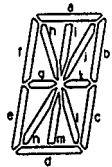
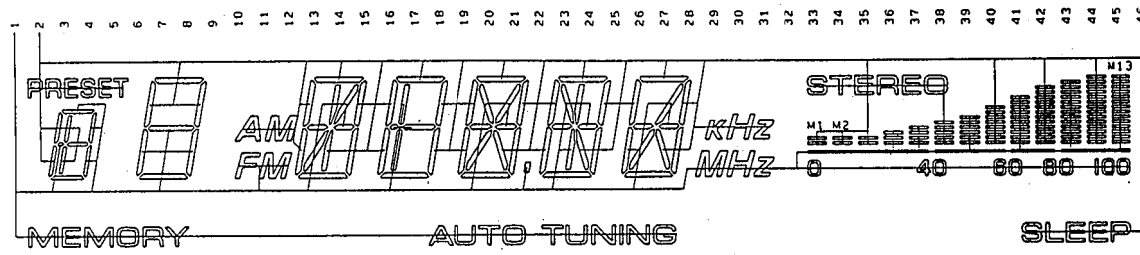
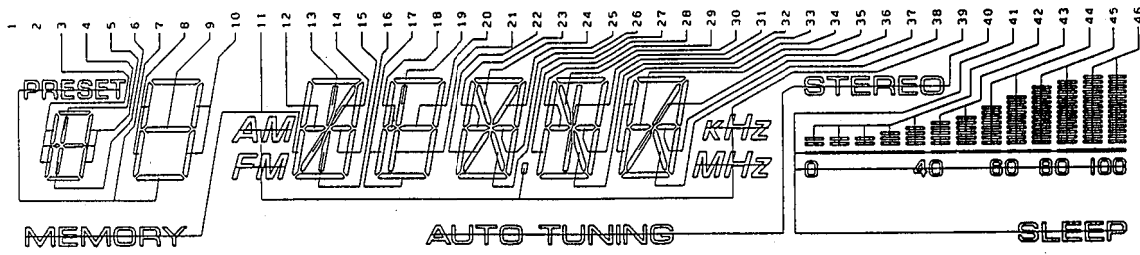
For all the above, AUTO TUNING and AUTO STEREO are selected as the TUNING mode.

■ BLOCK DIAGRAM



# ■ DISPLAY DATA

## ● V601: LCD8252B1JP



No.	COM1	COM2
1	—	COM
2	COM	—
3	1ef	1g
4	1i	1a
2	1k	1bc
5	1m	1d
2	PRESET	2d
6	2f	2e
9	2a	2g
10	2b	2c
11	3e	MEMORY
12	3f	3g
13	3a	3i

No.	COM1	COM2
14	3b	3jn
15	3c	3k
16	3m	3d
17	4e	4d
18	4f	4g
19	4a	4i
20	4b	4k
21	4c	4m
22	5e	5n
23	5f	5g
24	5a	5h
25	5b	5j
26	5c	5k

No.	COM1	COM2
27	5l	5d
28	6e	—
29	6f	6g
30	6a	6n
31	6b	6im
32	6c	6k
33	6l	6d
34	7f	7e
35	7a	7g
36	7b	7jn
37	7c	7k
38	7l	7d
39	AM kHz	FM, DP MHz

No.	COM1	COM2
40	STEREO	AUTO TUNING
41	SLEEP	1)
42	M1, M2, M3	M4, M5
43	M6	M7
44	M8	M9
45	M10	M11
46	M12	M13

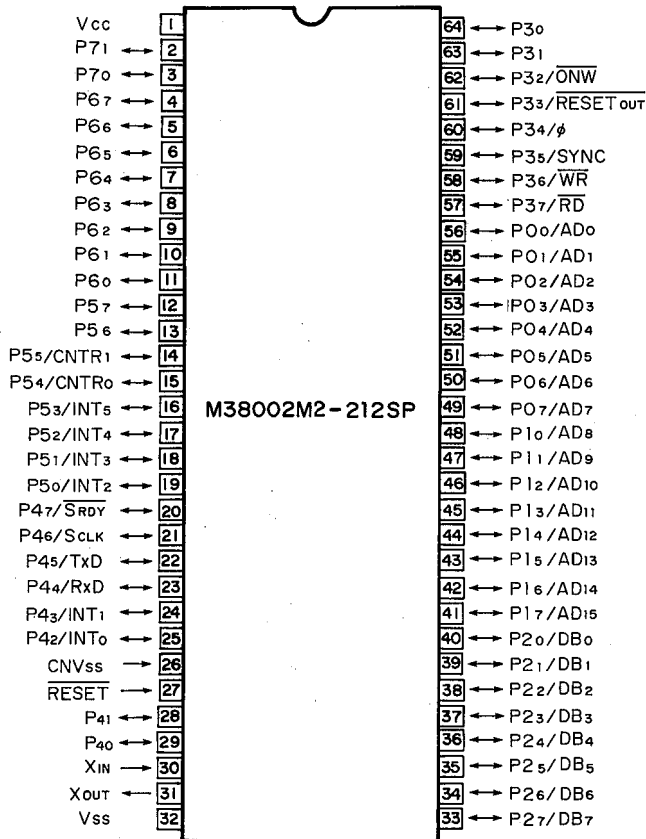
1) 0 40 60 80 100

RX-770

■ **μ-COM DATA**

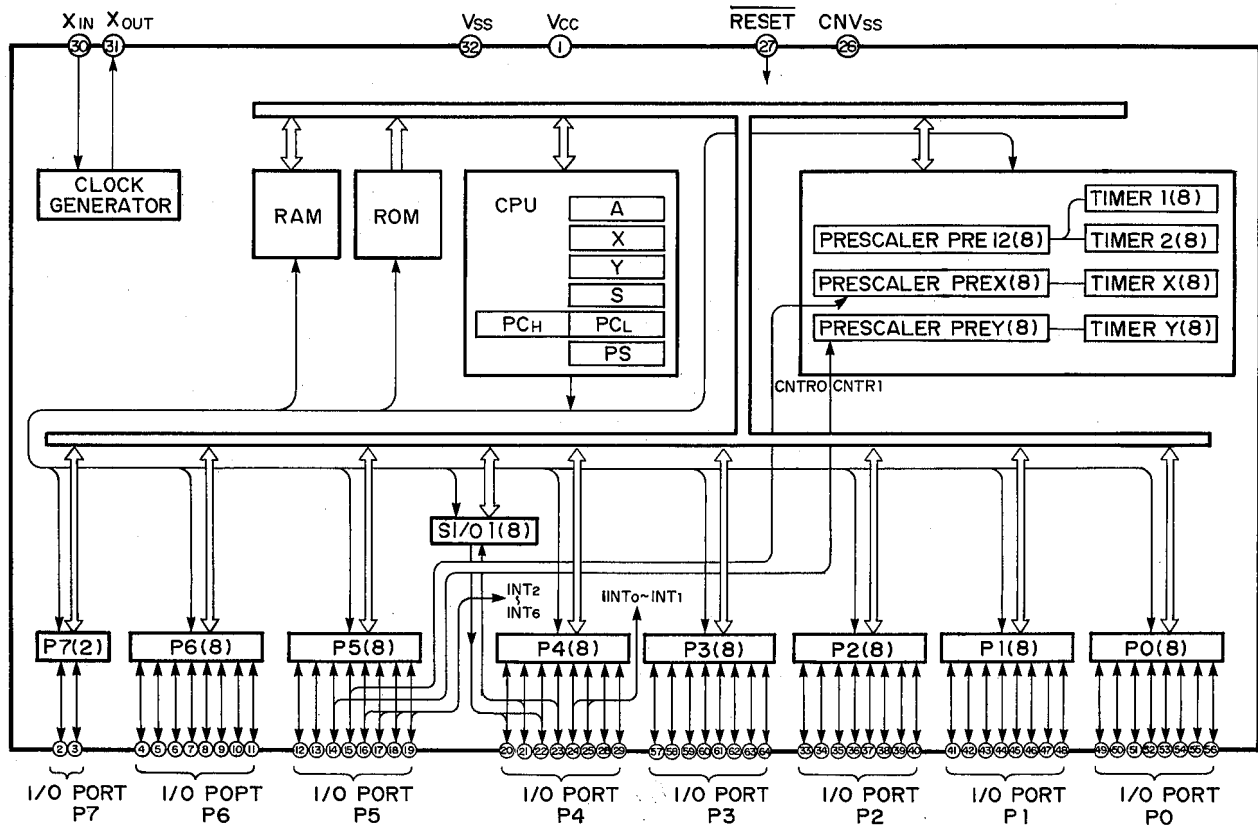
IC306 : M38002M2-212SP or M38002E2SP  
8bit μ-COM

RX-770



Tuner Market Select (Table A)

A1 (34)	A2 (33)	Market
1	0	A, B, W
0	1	U, C
1	1	R

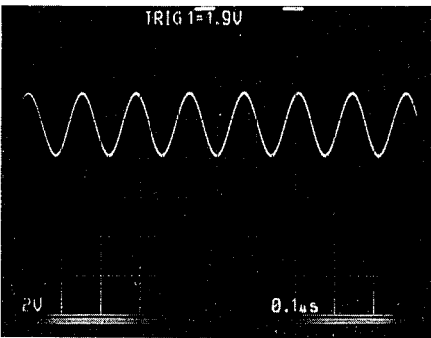


No.	PORT	I/O	NAME	FUNCTION	No.	PORT	I/O	NAME	FUNCTION
1	VCC	I		Power Supply +5V	64	P30	I	S7	Selector Position Input.
2	P71	O	PLED	Power LED H : ON	63	P31	I	S6	
3	P70	O	VRLED	Volume LED (Un used)	62	P32	I	S5	
4	P67	O	LUP	Loudness Volume	61	P33	I	S4	
5	P66	O	LDN						
6	P65	I		N. C.	60	P34	I	S3	
7	P64	I							
8	P63	O	D3	Key Digit	57	P37	I	CAM	
9	P62	O	D2						
10	P61	O	D1						
11	P60	O	D0						
12	P57	I	K3	Key Input	56	P00	O	VDN	Main Volume Down Up
13	P56	I	K2						
14	P55	I	K1						
15	P54	I	K0						
16	P53	I	PSW	Power SW	54	P02	O	ISR	Selector Turn Right Turn Left
17	P52	I	REM	Remote Control Input (INT4)	53	P03	O	ISL	
18	P51	O	METER	Meter L : ON H : OFF	52	P04	O	AMUT	Audio Mute (Un used)
19	P50	I		N. C.	51	P05	O	MUTE	Mute
20	P47	O	SRDY						
21	P46	O	CL	LC7582, Clock	50	P06	O	PON	Main Relay ON
22	P45	O	DA	LC7582, Data	49	P07	O	PLR	Player Control
23	P44	I	RXD	N. C.	48	P10	O	V1	Video Control
24	P43	O	CE	LC7582, Chip enable	47	P11	O	V2	
25	P42	O	INH	LC7582, Display OFF	46	P12	I	PODN	Power Down Detect
26	CNVS	I		GND	45	P13	I	STOUT	IF Count OK
27	RES	I		Reset Input	44	P14	O	DA	LM7000, Data
28	P41	O	SPR	Speaker Relay	43	P15	O	CLK	LM7000, Clock
29	P40	I	PRT	Protection	42	P16	O	CE	LM7000, Chip enable
30	XIN	I		Clock (4MHz)	41	P17	O	STRQ	IF Count Request
31	XOUT	O							
32	VSS	I		GND	40	P20	I	STSG	Stop Signal
					39	P21	O	MONO	Monaural Output
					38	P22	O	TMUTE	Tuner Mute
					37	P23	I	ST	Stereo Input
					36	P24	I	MODEL	Model Input L : RX-570 H : RX-770
					35	P25	I	A0	Power Supply Market H : G L : Not G
					34	P26	I	A1	Tuner Market Input (Table A)
					33	P27	I	A2	

## TEST POINT WAVEFORMS

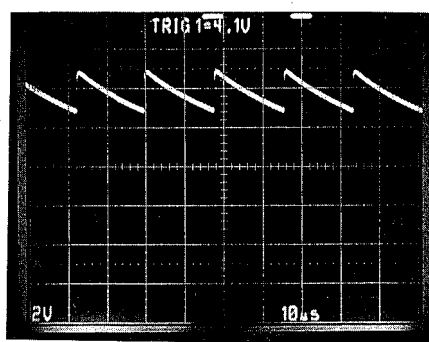
**Point ①** (Pin1 of IC2)

V : 2V/div H : 0.1 $\mu$ sec/div  
DC range 1 : 1 probe



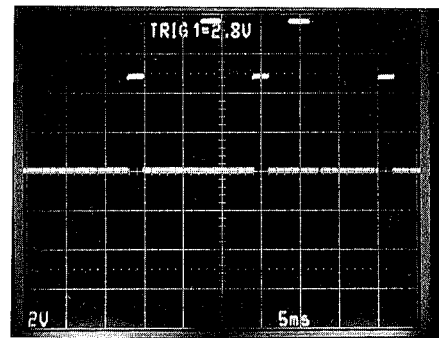
**Point ④** (Pin55 of IC601)

V : 2V/div H : 10 $\mu$ sec/div  
DC range 1 : 1 probe



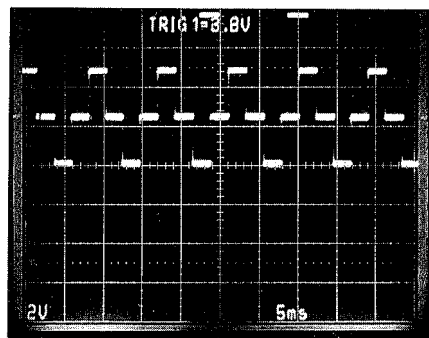
**Point ②** (Pin11 of IC306)

V : 2V/div H : 5msec/div  
DC range 1 : 1 probe



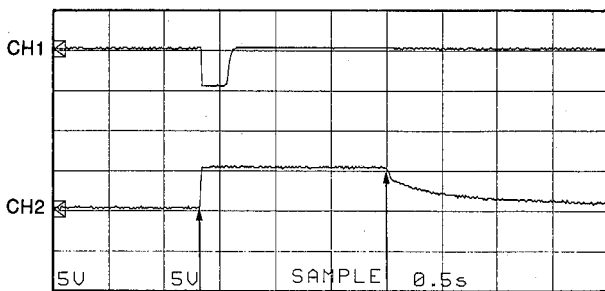
**Point ⑤** (Pin1 of V601)

V : 2V/div H : 5msec/div  
DC range 1 : 1 probe



**Point ③** ( CH1 : Pin27 of IC306  
CH2 : Emitter of Q315 )

V : 5V/div H : 0.5sec/div  
DC range 1 : 1 probe



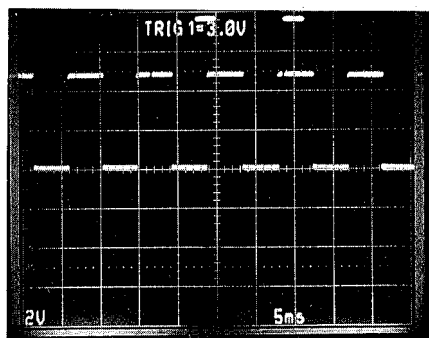
With the POWER switch turned ON, connect the power cord to the AC outlet.

Disconnect the power cord from the AC outlet.

(This waveform is not available by pushing the power switch ON and OFF.)

**Point ⑥** (Pin1 of IC601, Pin3 to 46 of V601)

V : 2V/div H : 5msec/div  
DC range 1 : 1 probe



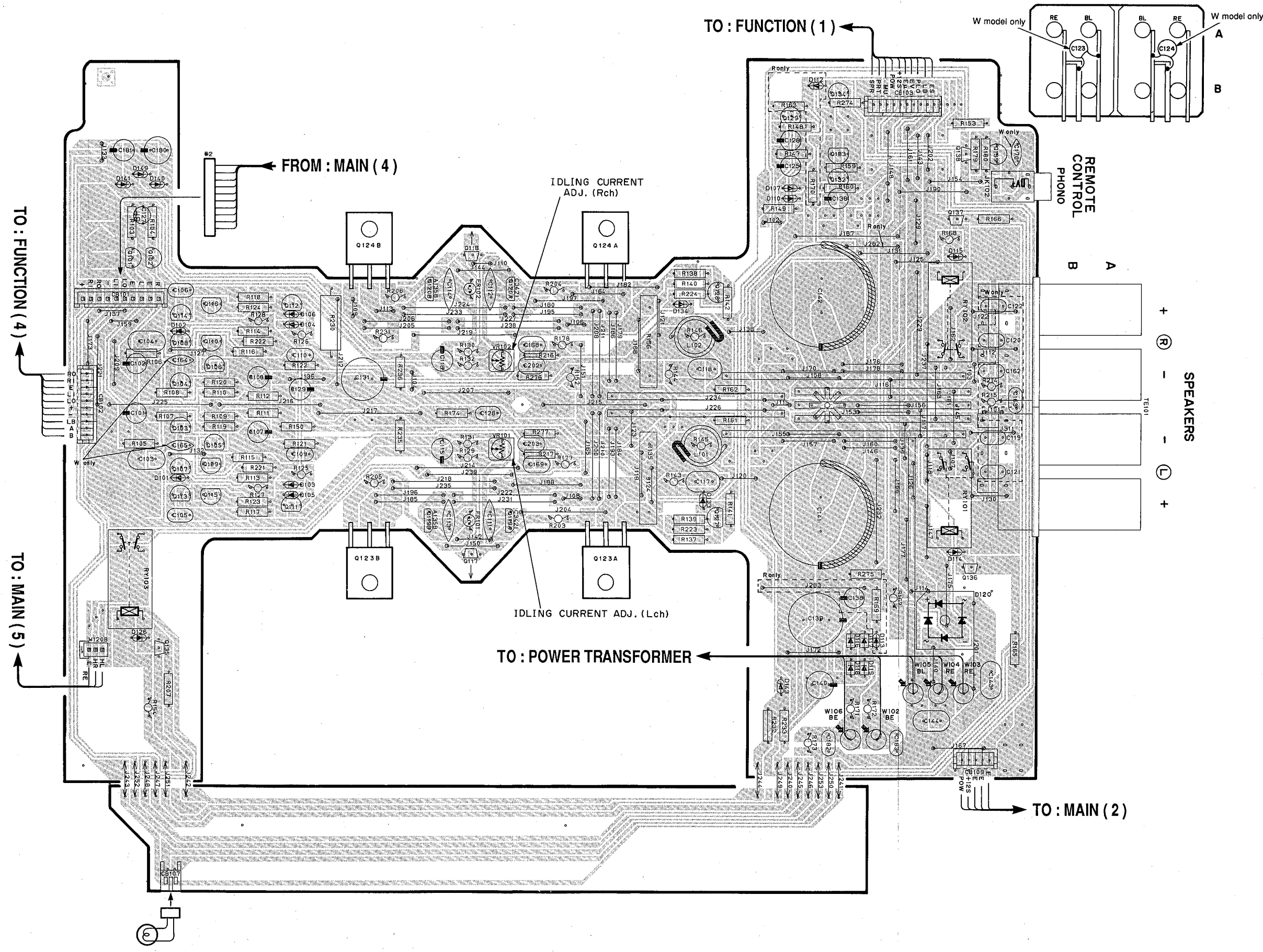
PRINTED CIRCUIT BOARD (Foil side)

MAIN P. C. B. (1)

RX-770

● Semiconductor Location

Ref. No.	Location
D 101	C3
D 102	C3
D 103	C4
D 104	C3
D 105	C4
D 106	C3
D 107	F2
D 110	F2
D 112	F2
D 113	F4
D 114	G4
D 115	G2
D 116	F4
D 117	F4
D 118	F4
D 119	F4
D 120	G4
D 126	B4
D 133	E4
D 134	E3
D 140	C2
D 141	B2
D 143	F5
D 149	B2
Q 101	B2
Q 102	B2
Q 103	C3
Q 104	C3
Q 105	C3
Q 106	C3
Q 107	C3
Q 108	C3
Q 109	C3
Q 110	C3
Q 111	C4
Q 112	C3
Q 113	C4
Q 114	C3
Q 115	C4
Q 116	C3
Q 117	D4
Q 118	D2
Q119A	D4
Q119B	D4
Q120A	D3
Q120B	D3
Q123A	E4
Q123B	D4
Q124A	E2
Q124B	D2
Q 127	E4
Q 128	E3
Q 129	F2
Q 132	F2
Q 133	F2
Q 134	F2
Q 135	C4
Q 136	G4
Q 137	G2
Q 138	G2
Q 139	G2





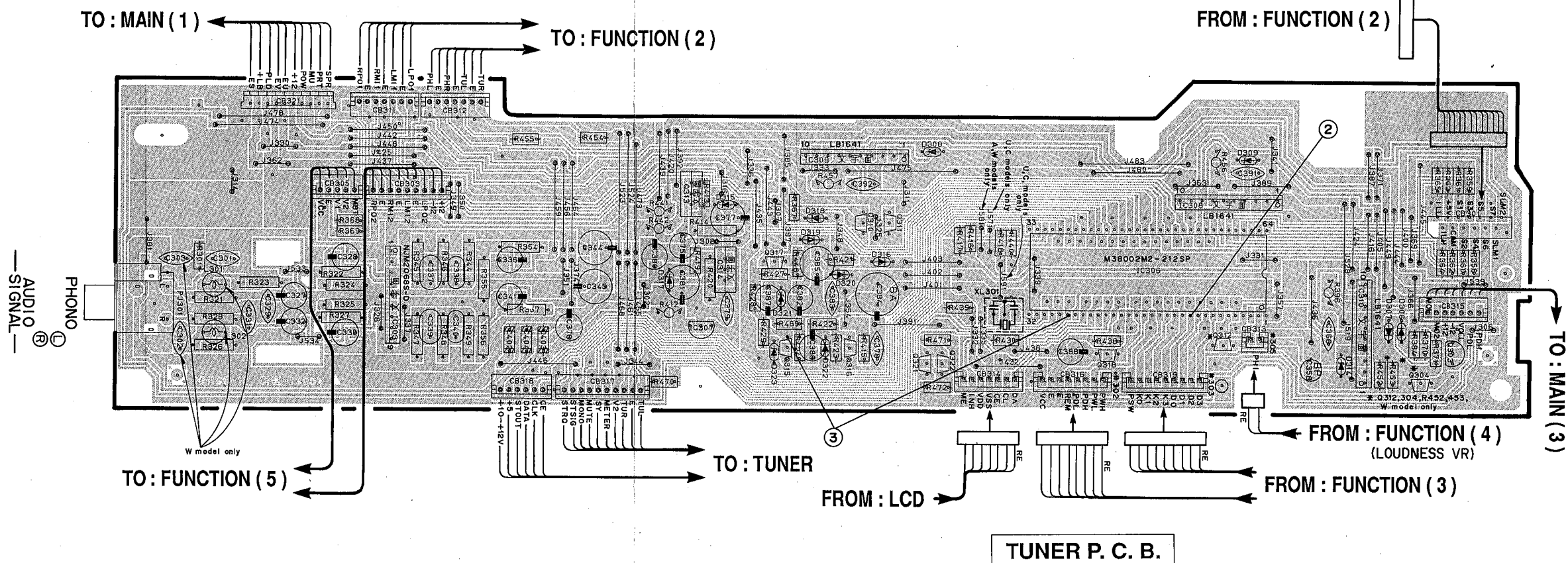
PRINTED CIRCUIT BOARD (Foil side)

① to ⑥ : TEST POINT WAVEFORMS (See page 15)

FUNCTION P. C. B. (1)

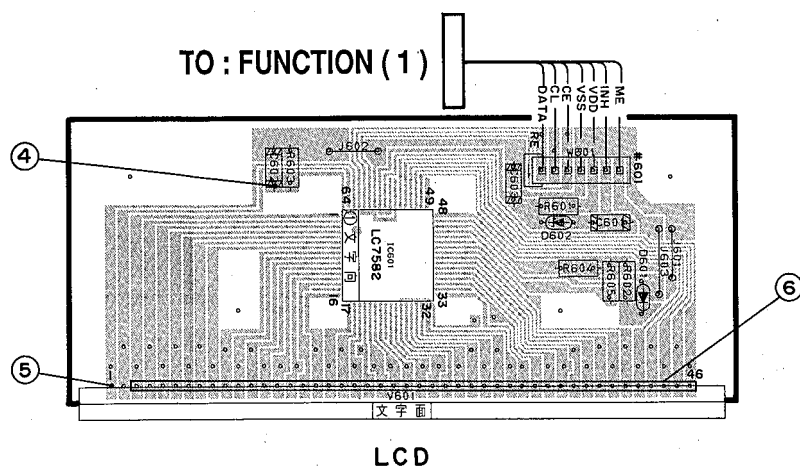
Semiconductor Location

Ref. No.	Location
D 306	G2
D 307	G2
D 308	F2
D 309	G2
D 314	G3
D 315	E2
D 316	E2
D 317	E2
D 318	E2
D 319	E2
D 320	E2
D 321	E3
D 322	E3
D 323	E3
IC 303	C2
IC 306	F2
IC 307	E3
IC 308	G2
IC 309	E2
IC 310	G3
Q 303	H3
Q 304	H3
Q 310	E2
Q 311	E2
Q 312	G3
Q 313	E2
Q 314	E2
Q 315	E3
Q 316	E3
Q 317	E2
Q 318	F3
Q 321	F3
Q 322	F3

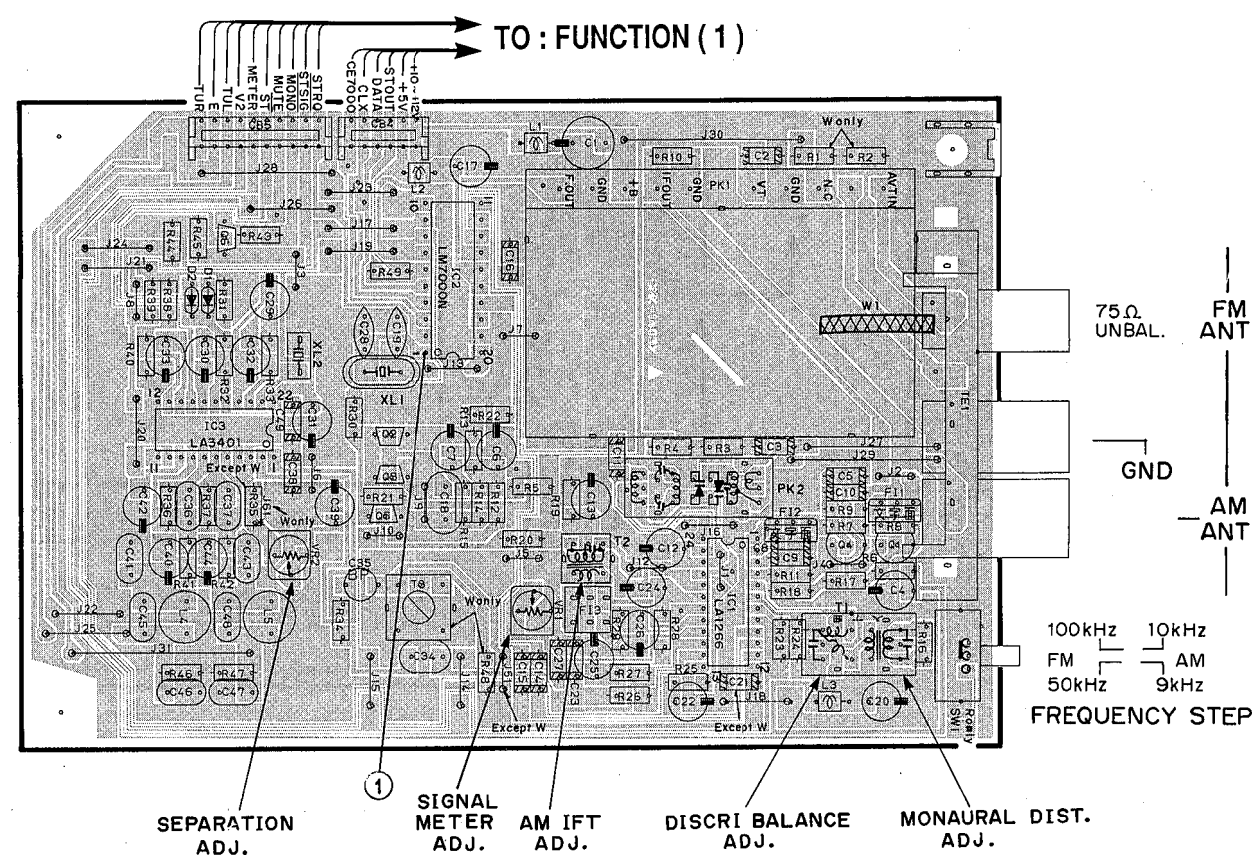


TUNER P. C. B.

LCD P. C. B.



LCD



SEPARATION ADJ. SIGNAL METER ADJ. AM IFT ADJ. DISCRI BALANCE ADJ. MONAURAL DIST. ADJ.

100kHz FM  
50kHz FM  
10kHz AM  
9kHz AM  
FREQUENCY STEP

1  
2  
3  
4  
5  
6

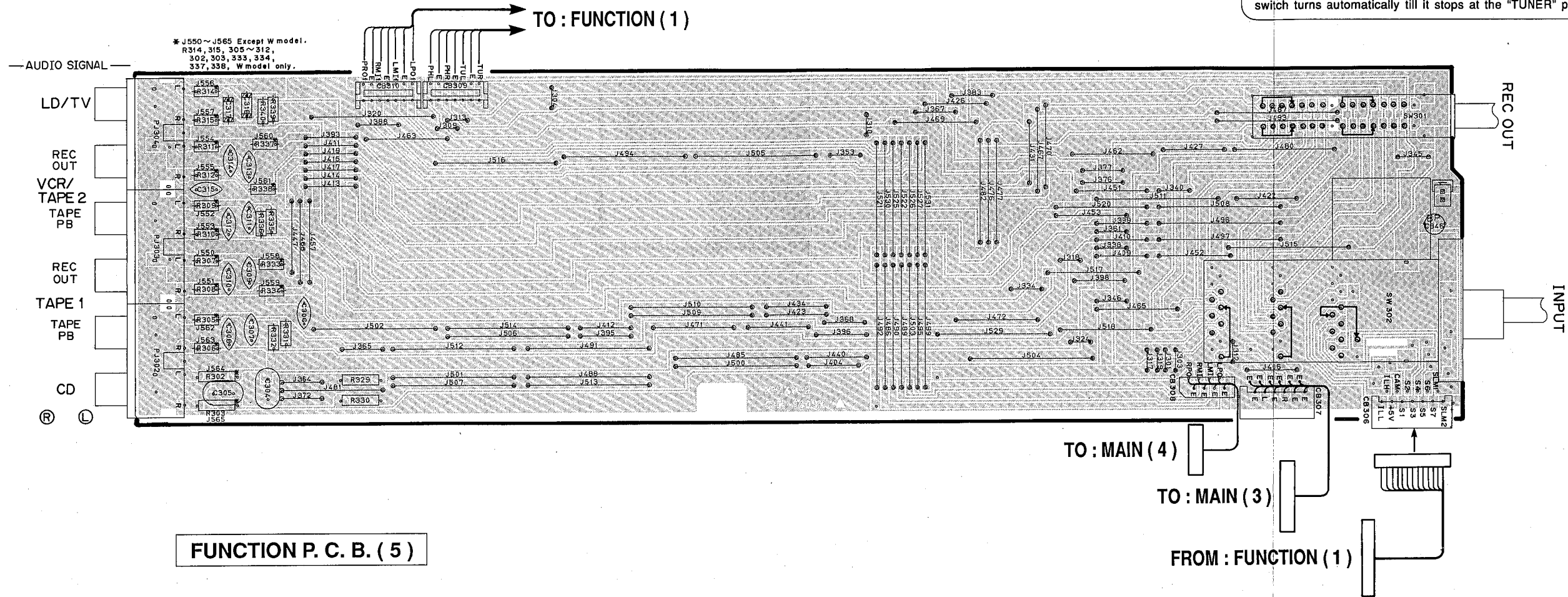


PRINTED CIRCUIT BOARD (Foil side)

FUNCTION P. C. B. ( 2 )

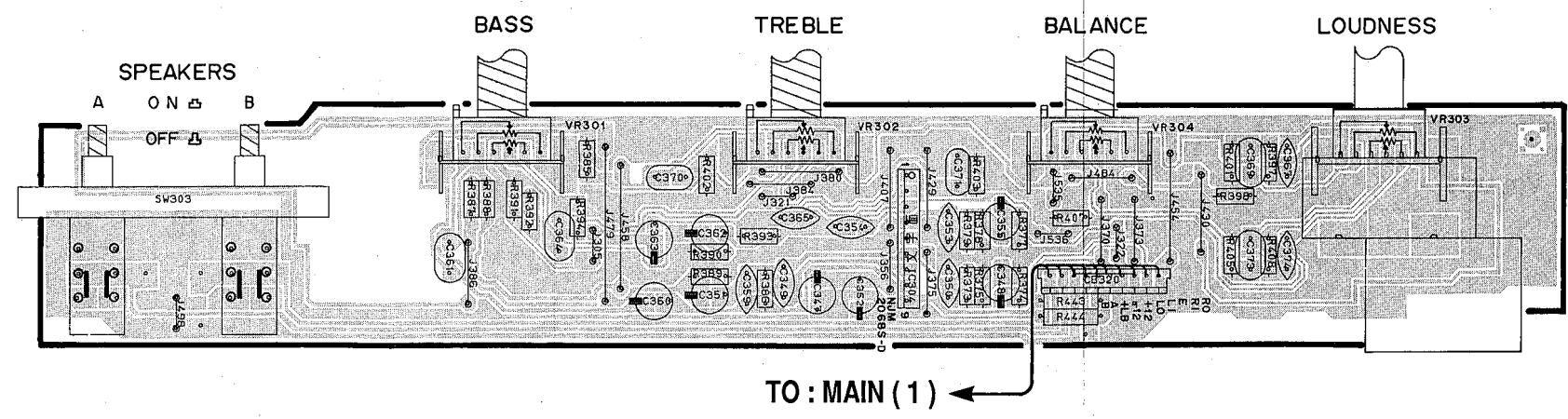
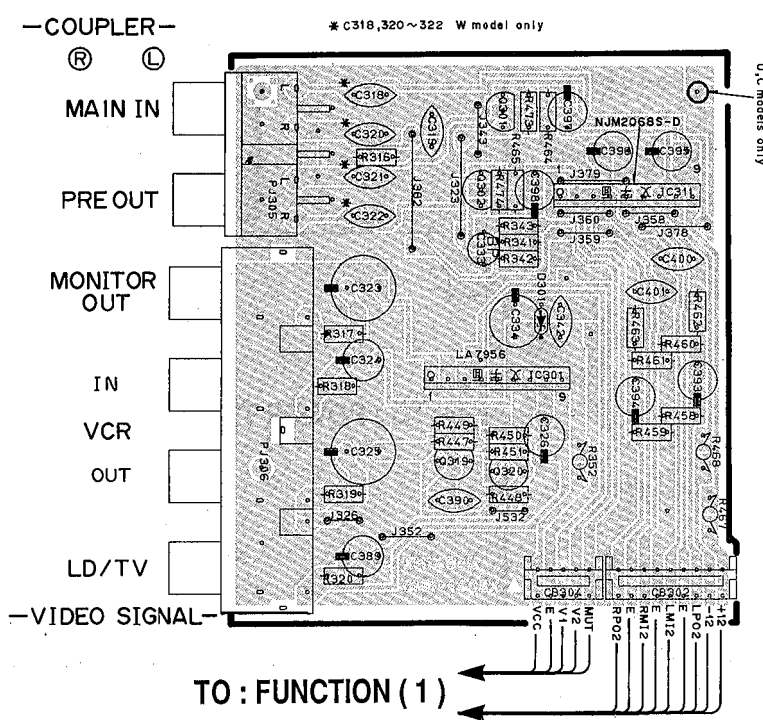
**Precautions for Replacement of Input Selector Switch**  
 Make sure to perform initial setting of the input selector switch after its replacement.

● **How to perform initial setting**  
 Position the selector switch at the mid-point between the TUNER position and CD position and turn ON the POWER switch. Then the SELECTOR switch turns automatically till it stops at the "TUNER" position finally.



FUNCTION P. C. B. ( 5 )

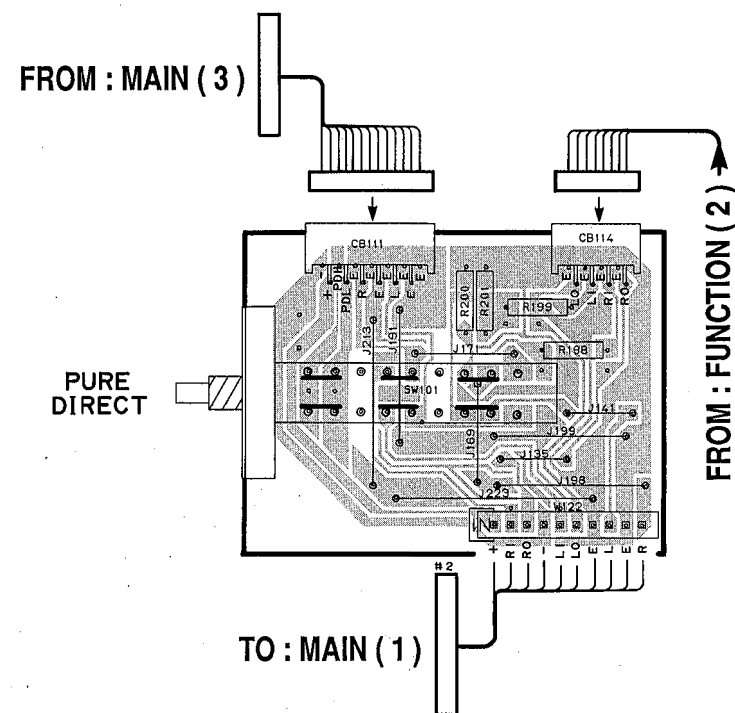
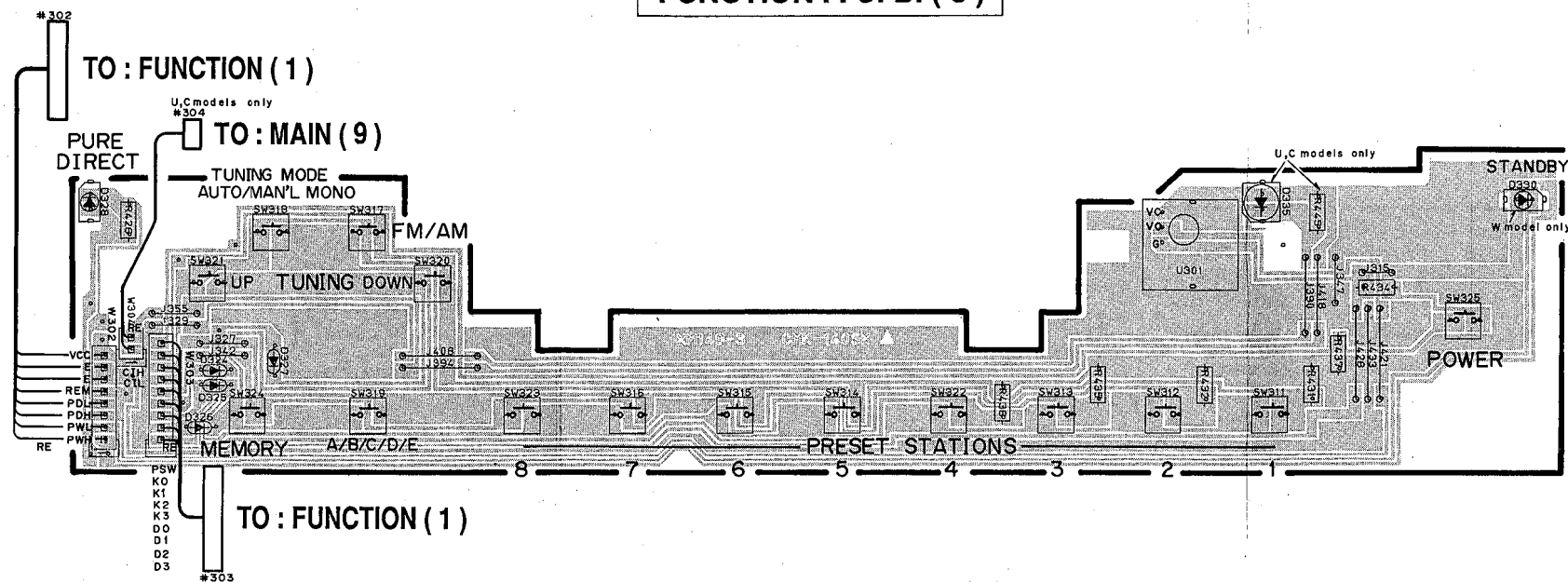
FUNCTION P. C. B. ( 4 )



PRINTED CIRCUIT BOARD (Foil side)

FUNCTION P. C. B. (3)

MAIN P. C. B. (4)



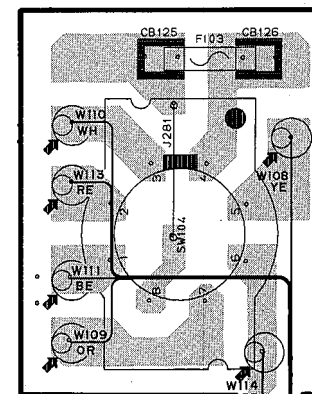
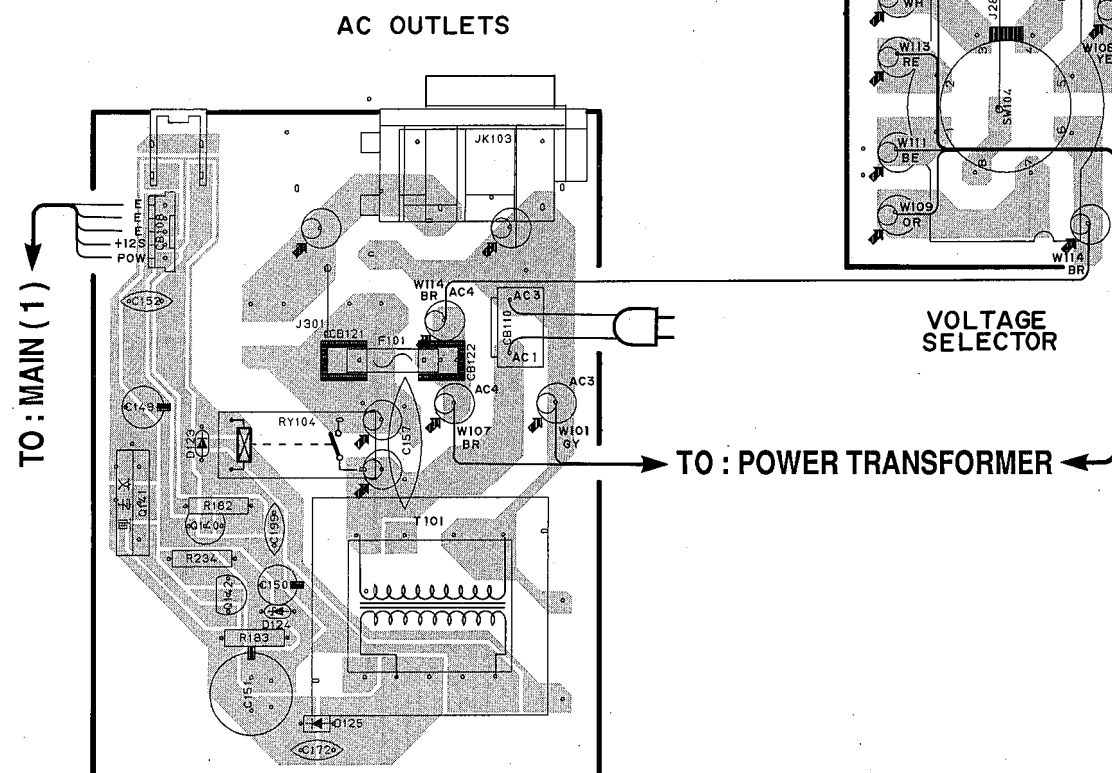
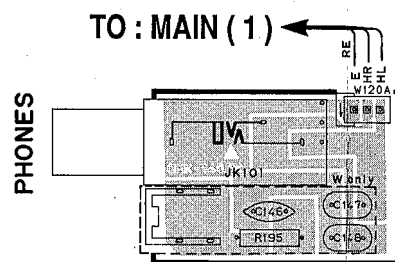
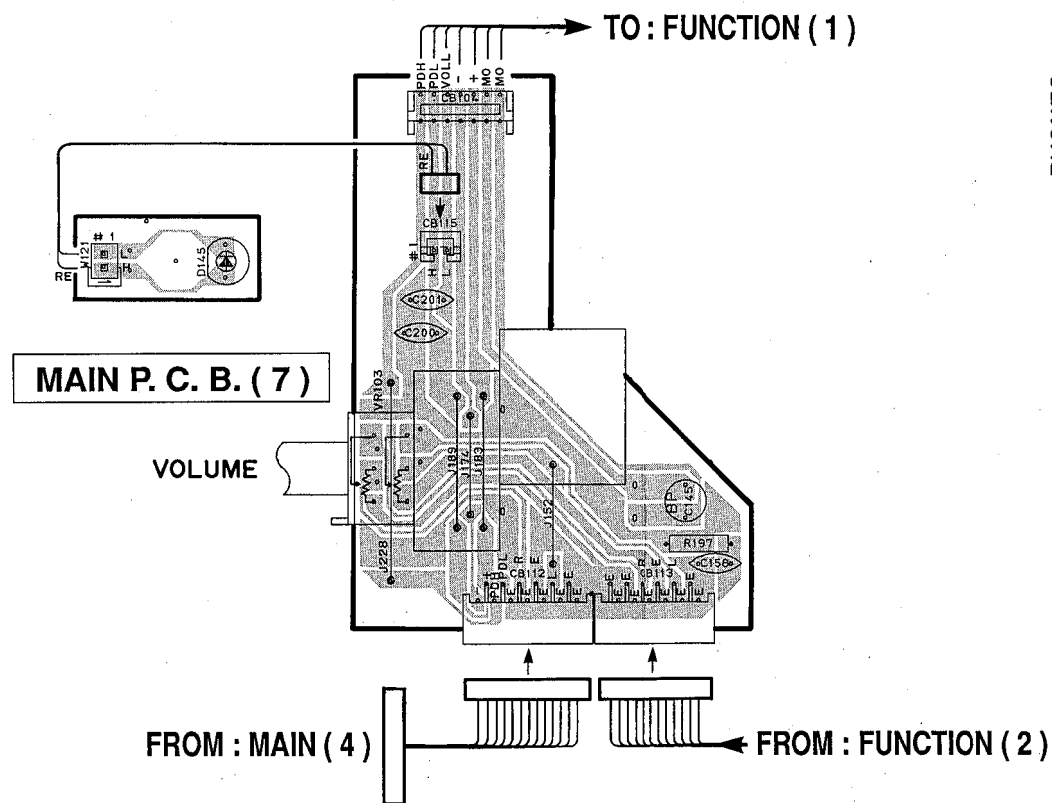
MAIN P. C. B. (3)

MAIN P. C. B. (5)

R model

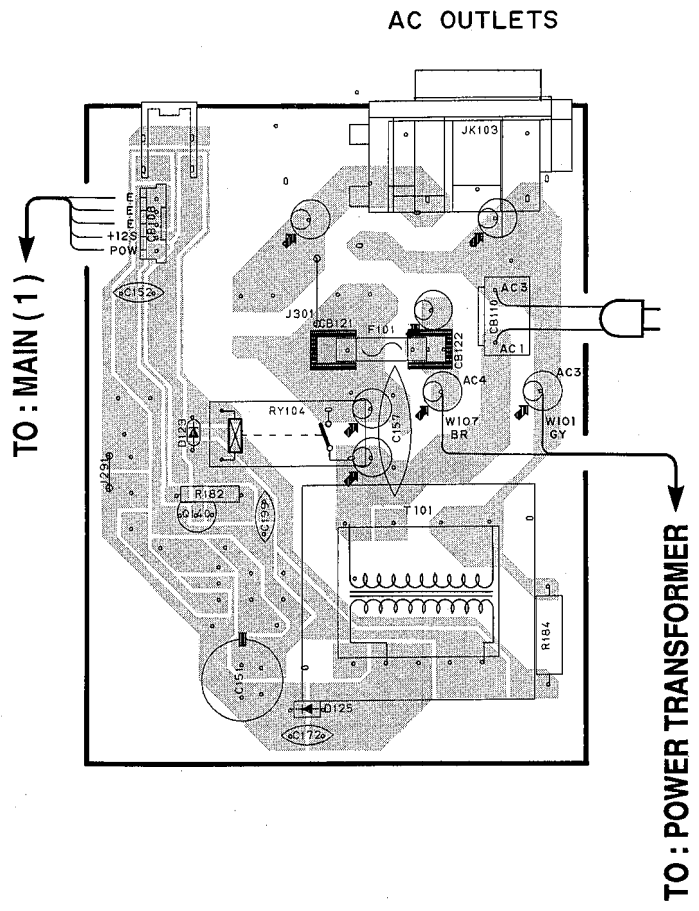
MAIN P. C. B. (2)

MAIN P. C. B. (6)

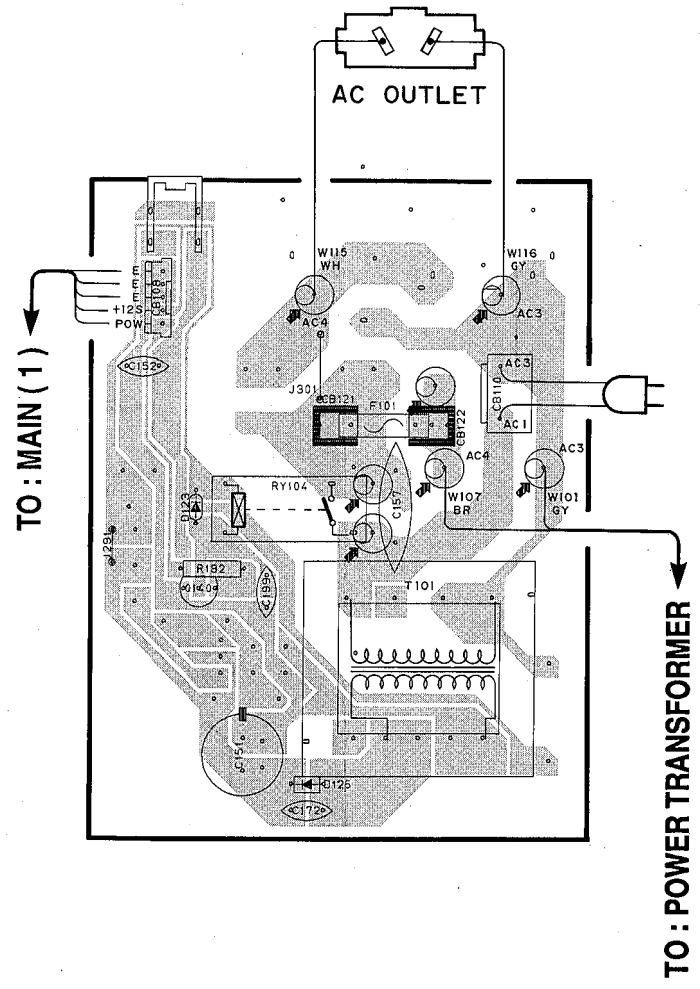


■ PRINTED CIRCUIT BOARD (Foil side)

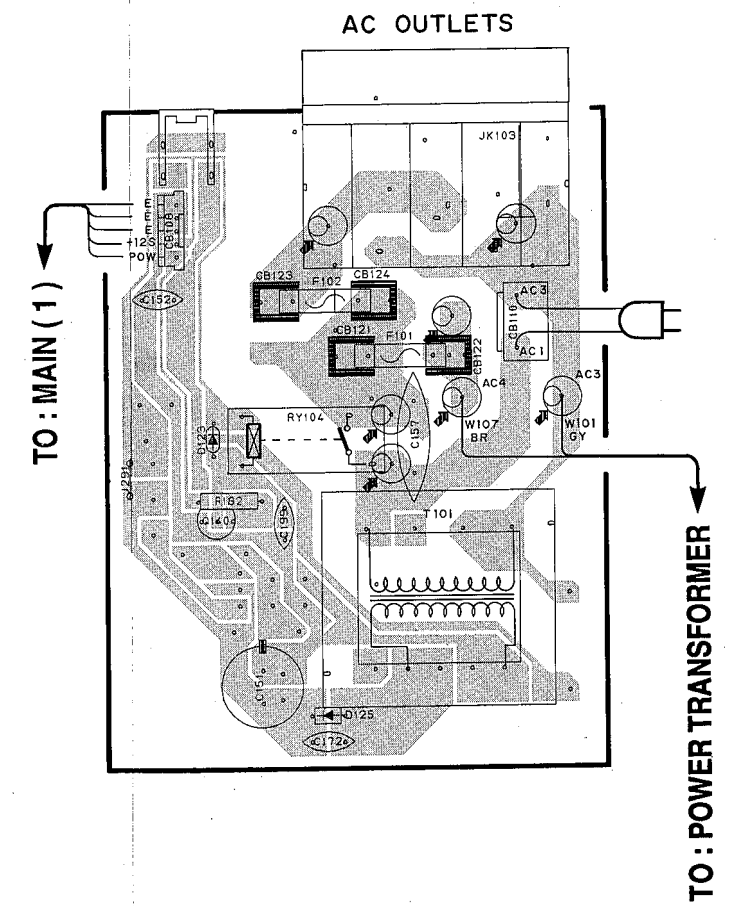
U, C models  
MAIN P. C. B. ( 2 )



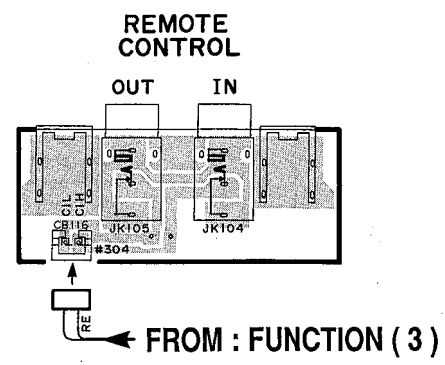
A model  
MAIN P. C. B. ( 2 )



W model  
MAIN P. C. B. ( 2 )

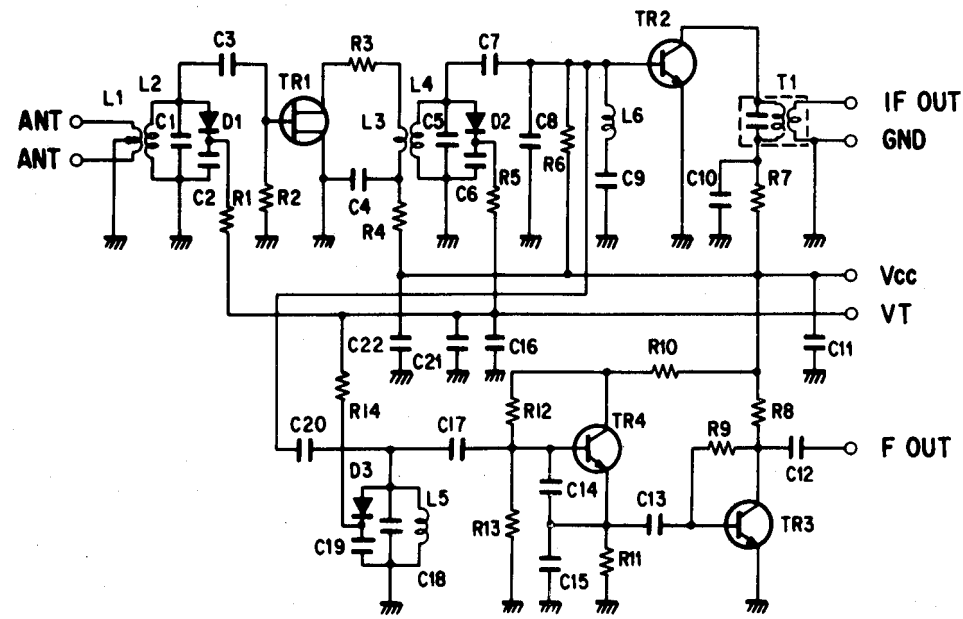


U, C models  
MAIN P. C. B. ( 9 )

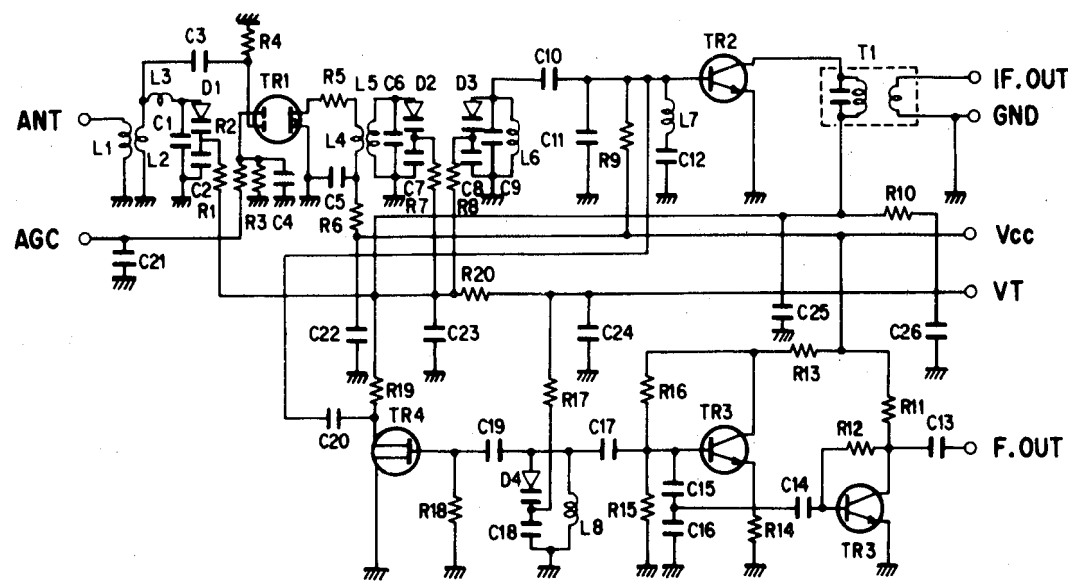


**FRONT END PACK**

● Except W model

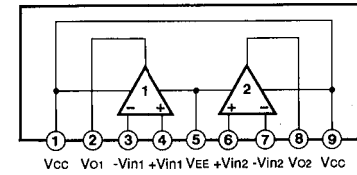


● W model only

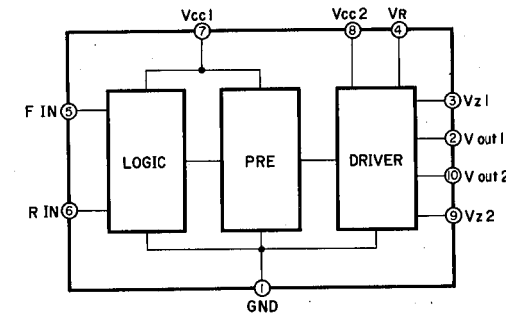


**IC BLOCK**

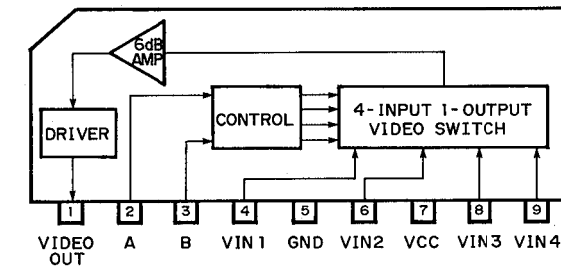
IC303, 304, 311 : NJM2068S-D  
Dual OP-amp



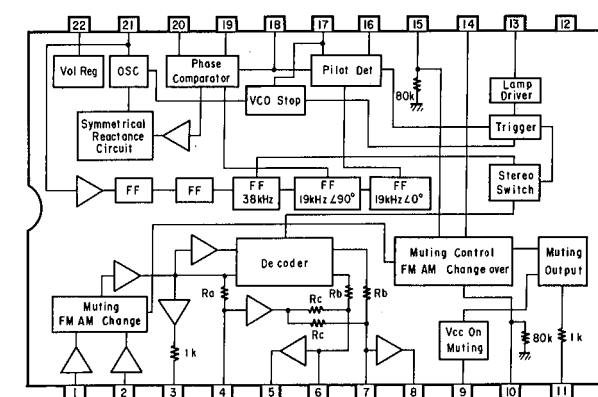
IC308 ~ 310 : LB1641  
Motor Drive



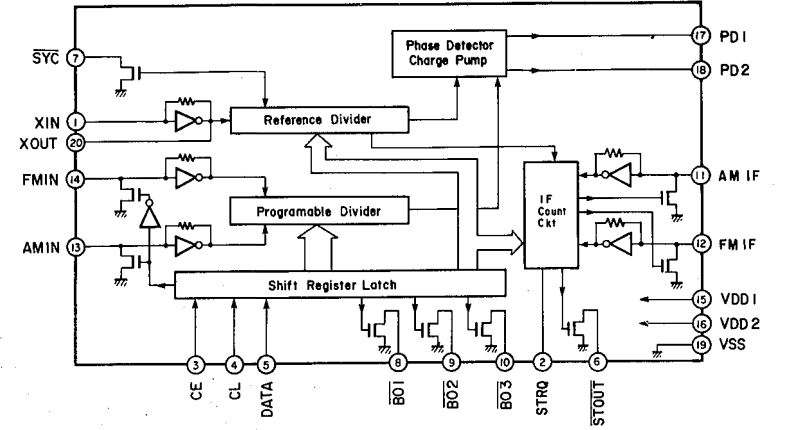
IC301 : LA7956  
Video Switch



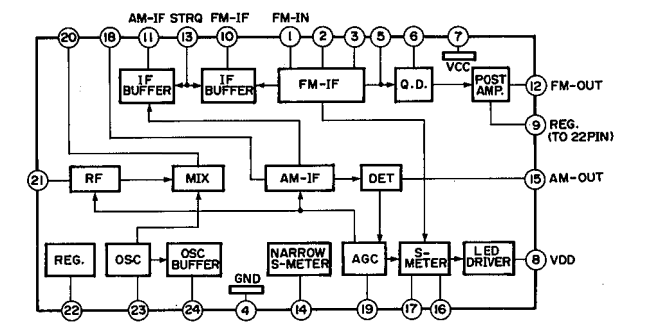
IC3 : LA3401  
MPX



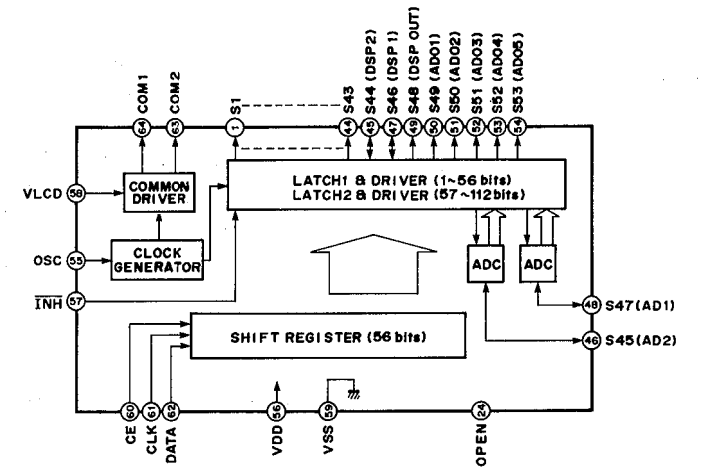
IC2 : LM7000  
PLL Controller



IC1 : LA1266  
AM/FM IF



IC601 : LC7582  
LCD Driver

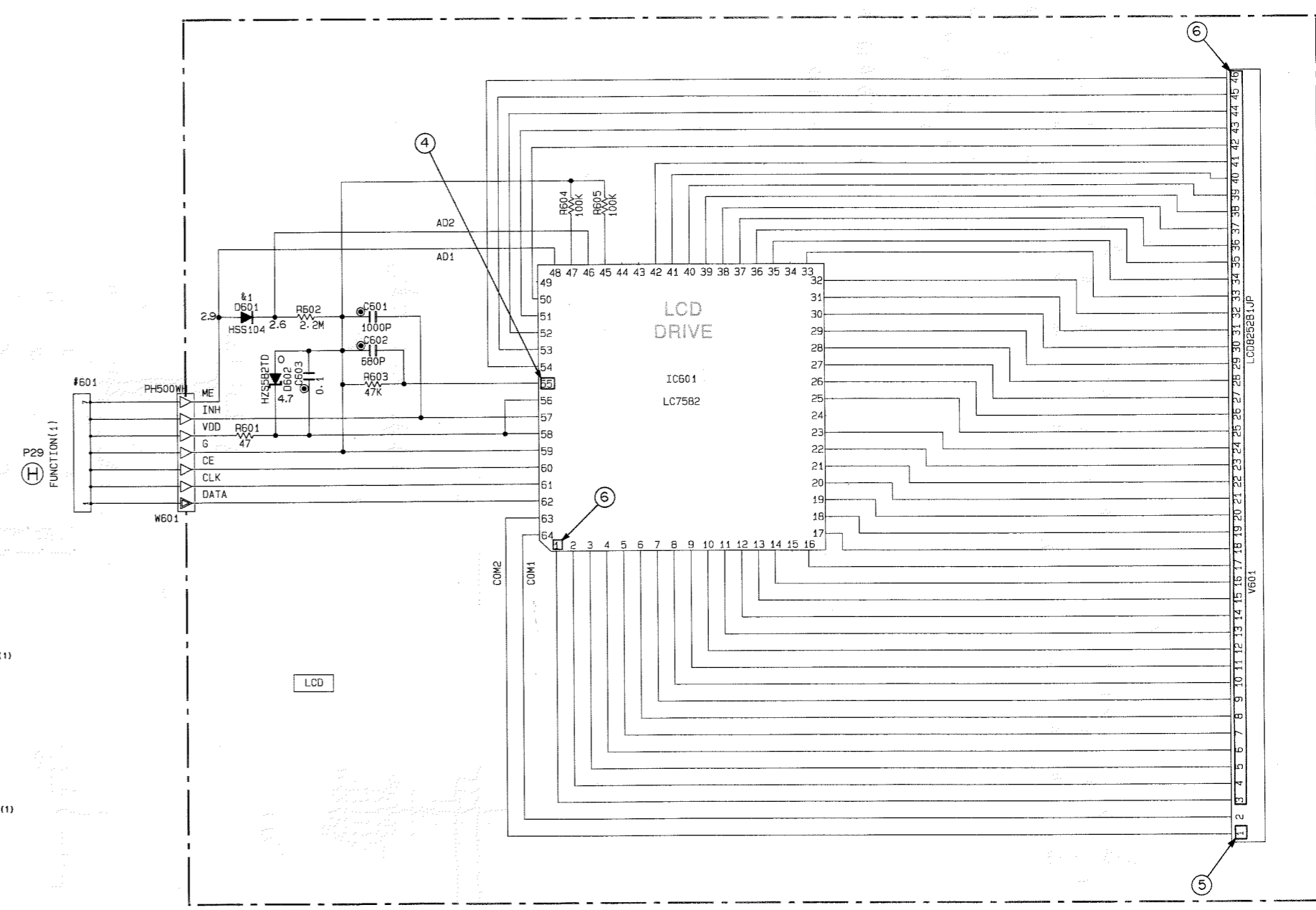
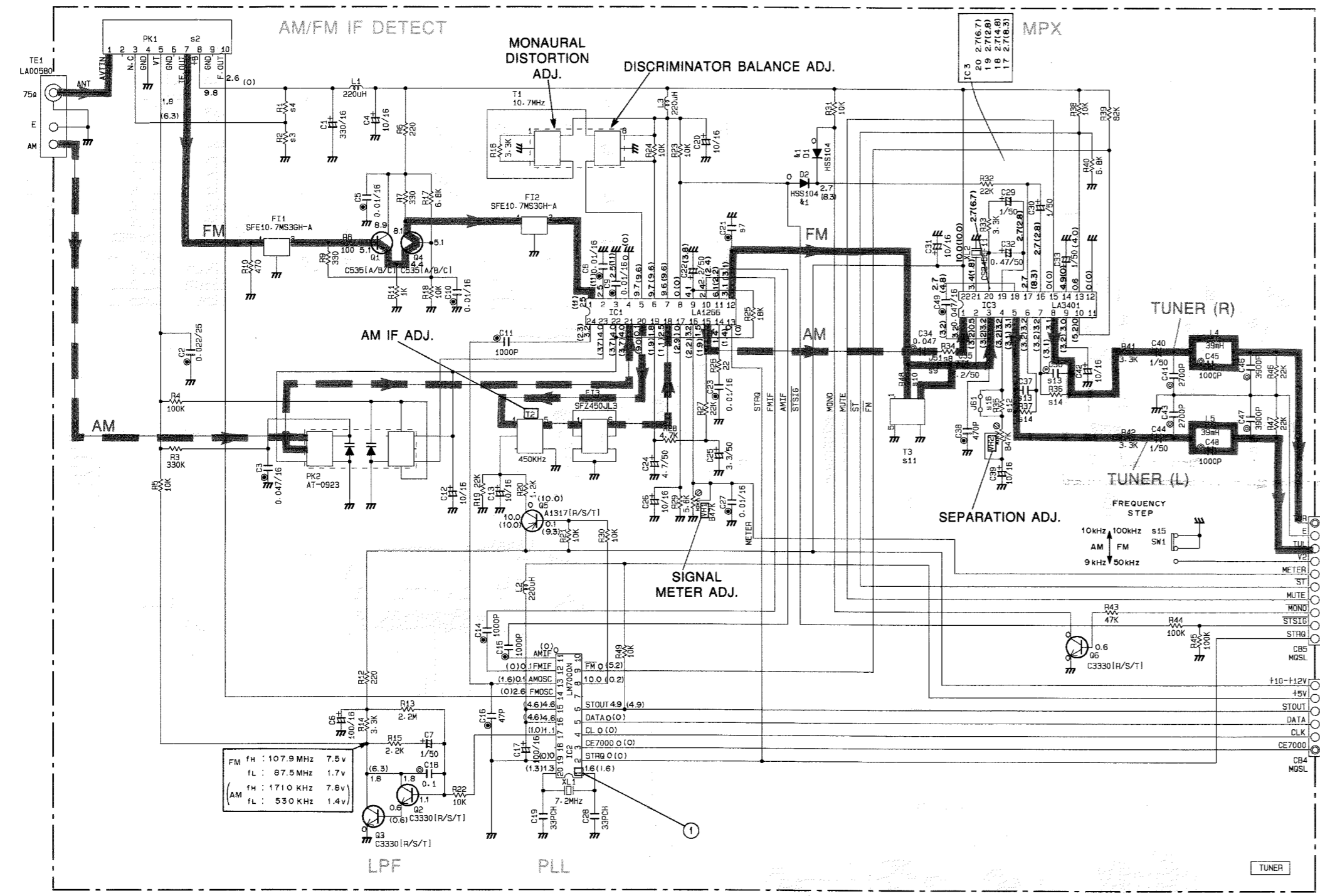




■ SCHEMATIC DIAGRAM (TUNER & LCD)

Each voltage given here represents that in the FM (88.1MHz, STEREO) reception mode but the one in the parentheses ( ) is that in the AM (1400kHz) reception mode.

① and ④ to ⑥ : TEST POINT WAVEFORMS (See page 15)



REMARKS	CAPACITOR	PARTS NAME
NO MARK	ELECTROLYTIC CAPACITOR	⊘
⊘	TANTALUM CAPACITOR	⊘
NO MARK	CERAMIC CAPACITOR	⊙
⊙	AXIAL LEAD CERAMIC CAPACITOR	⊙
⊙	POLYESTER FILM CAPACITOR	⊙
⊙	POLYSTYRENE FILM CAPACITOR	⊙
⊙	MICA CAPACITOR	⊙
⊙	POLYPROPYLENE FILM CAPACITOR	⊙
⊙	SEMICONDUCTIVE CERAMIC CAPACITOR	⊙

REMARKS	RESISTOR	PARTS NAME
NO MARK	CARBON FILM RESISTOR (1/6W)	□
□	CARBON FILM RESISTOR (1/4W)	□
△	METAL OXIDE FILM RESISTOR	△
△	METAL FILM RESISTOR	△
□	METAL PLATE RESISTOR	□
□	FIRE PROOF CARBON FILM RESISTOR	□
□	CEMENT MOLDED RESISTOR	□
□	SEMI VARIABLE RESISTOR	□
□	CHIP RESISTOR	□

**NOTICE**  
 (J)..... Japanese model  
 (U)..... U.S.A model  
 (C)..... Canadian model  
 (A)..... Australian model  
 (S)..... European model  
 (B)..... British model  
 (R)..... General model  
 (P)..... RP model  
 (W)..... German model

U.C	R	A	W
1			
2	VK20850	VK20850	VK20850
3	X	X	X
4	X	X	X
5			
6			
7	100P	100P	100P
8	10K	10K	10K
9	○	○	○
10	X	X	X
11	X	X	X
12	22K	22K	22K
13	680P/100	680P/100	470P/100
14	100K	100K	100K
15	X	VFS4120	X
16	X	X	X
17			

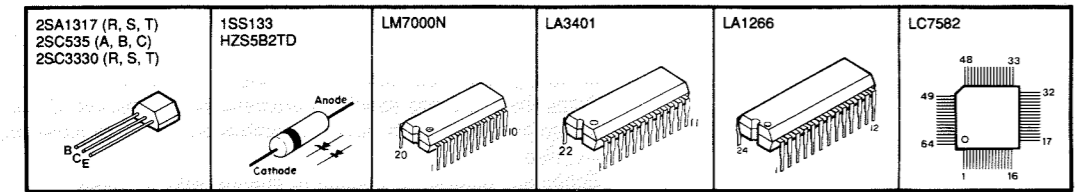
Interchangeable Parts at Manufacture-Stage

Mark	Reference Parts Number	Parts Name
k1	D601	HSS104 1SS133 1SS176

Interchangeable Parts at Manufacture-Stage

Mark	Reference Parts Number	Parts Name
k1	D1-2	HSS104 1SS133 1SS176

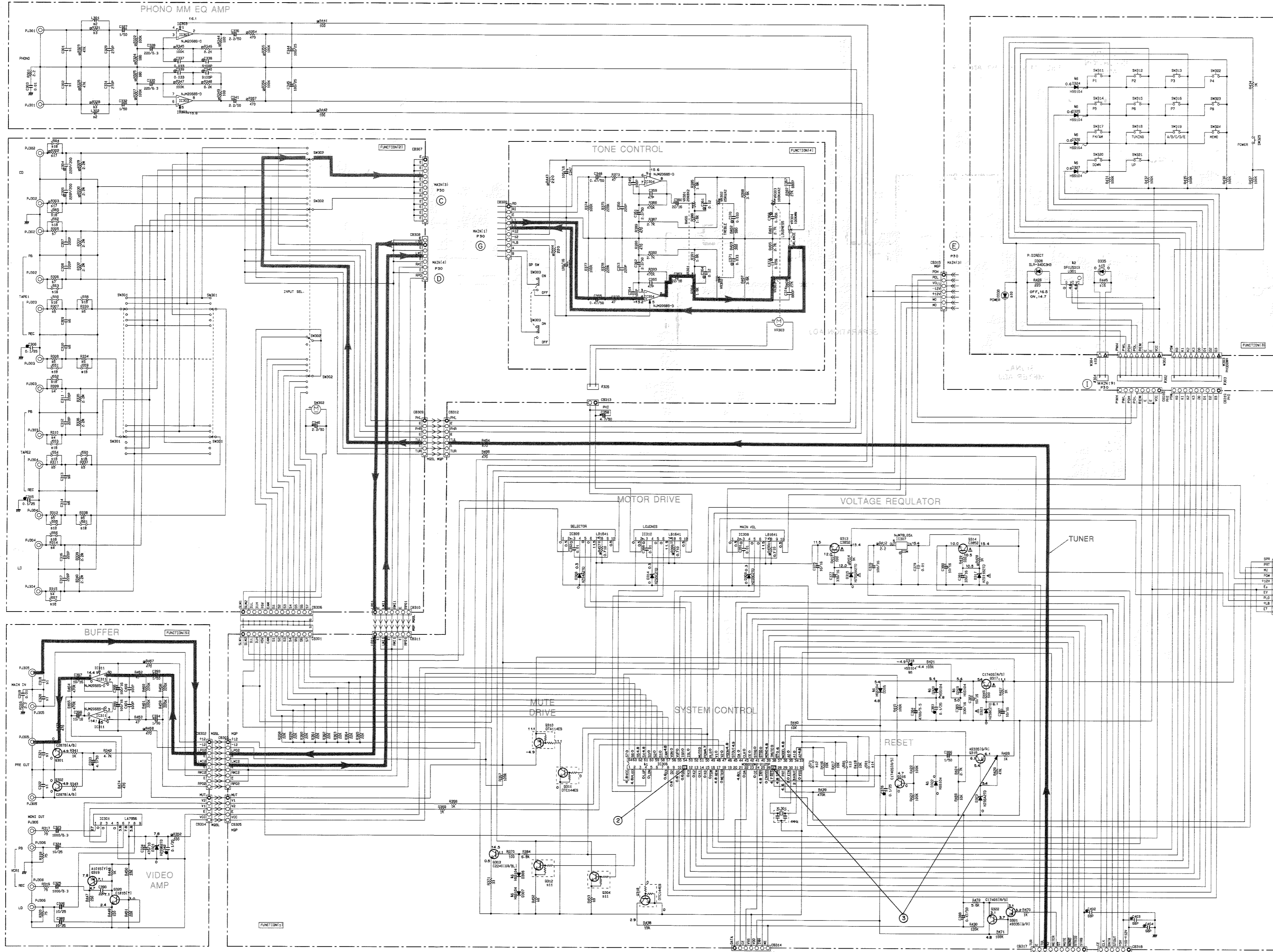
PIN CONNECTION DIAGRAM OF TRANSISTORS, DIODES AND ICs.



• All voltage are measured with a 10MQ/V DC electric volt meter.  
 • Components having special characteristics are marked △ and must be replaced with parts having specifications equal to those originally installed.  
 • Schematic diagram is subject to change without notice.

SCHEMATIC DIAGRAM (FUNCTION)

② and ③ : TEST POINT WAVEFORMS (See page 15)



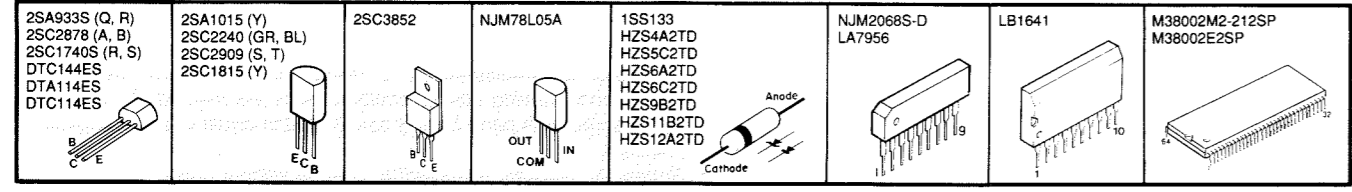
No.	Reference Parts Number	U.C.	#	A	W
1	2B1-322	X	X	X	220P
2	2B1-323	X	X	X	220P
3	2B1-324	X	X	X	2.2K
4	2B1-325	X	X	X	100
5	2B1-326	X	X	X	220P
6	2B1-327	X	X	X	100
7	2B1-328	X	X	X	1.2K
8	2B1-329	X	X	X	1K
9	2B1-330	X	X	X	100
10	2B1-331	X	X	X	100
11	2B1-332	X	X	X	100
12	2B1-333	X	X	X	100
13	2B1-334	X	X	X	100
14	2B1-335	X	X	X	100
15	2B1-336	X	X	X	100
16	2B1-337	X	X	X	100
17	2B1-338	X	X	X	100
18	2B1-339	X	X	X	100
19	2B1-340	X	X	X	100

Interchangeable Parts at Manufacture-Stage

No.	Reference Parts Number	Parts Name
1	2C306	M38002M2-212SP
2	2C307	SP10011X
3		SP10012X
4		
5		
6		
7		
8		
9		
10		
11		
12		
13		
14		
15		
16		
17		
18		
19		

- NOTICE**
- (J)..... Japanese model
  - (U)..... U.S.A model
  - (C)..... Canadian model
  - (A)..... Australian model
  - (E)..... European model
  - (B)..... British model
  - (G)..... German model
  - (W)..... W model
- RESISTOR**
- REMARKS PARTS NAME #
- NO MARK CARBON FILM RESISTOR (1/4W)
  - C CARBON FILM RESISTOR (1/4W)
  - M METAL OXIDE FILM RESISTOR
  - F METAL FILM RESISTOR
  - P PAPER RESISTOR
  - CF FINE PORE CARBON FILM RESISTOR
  - CE CEMENT MOLDED RESISTOR
  - S SEMI VARIABLE RESISTOR
  - CH CHIP RESISTOR
- CAPACITOR**
- REMARKS PARTS NAME #
- NO MARK ELECTROLYTIC CAPACITOR
  - T TANTALUM CAPACITOR
  - C CERAMIC CAPACITOR
  - AL AXIAL LEAD CERAMIC CAPACITOR
  - PF PAPER FILM CAPACITOR
  - PS POLYESTER FILM CAPACITOR
  - PO POLYPROPYLENE FILM CAPACITOR
  - MI MICA CAPACITOR
  - PO POLYPROPYLENE FILM CAPACITOR
  - SE SEMICONDUCTIVE CERAMIC CAPACITOR

PIN CONNECTION DIAGRAM OF TRANSISTORS, DIODES AND ICs.



All voltage are measured with a 10MΩ/V DC electric volt meter.  
 Components having special characteristics are marked Δ and must be replaced with parts having specifications equal to those originally installed.  
 Schematic diagram is subject to change without notice.

SCHEMATIC DIAGRAM (MAIN)

PIN CONNECTION DIAGRAM OF TRANSISTORS, DIODES AND ICs.

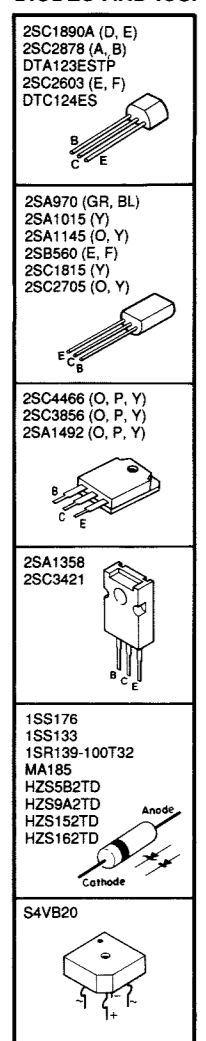
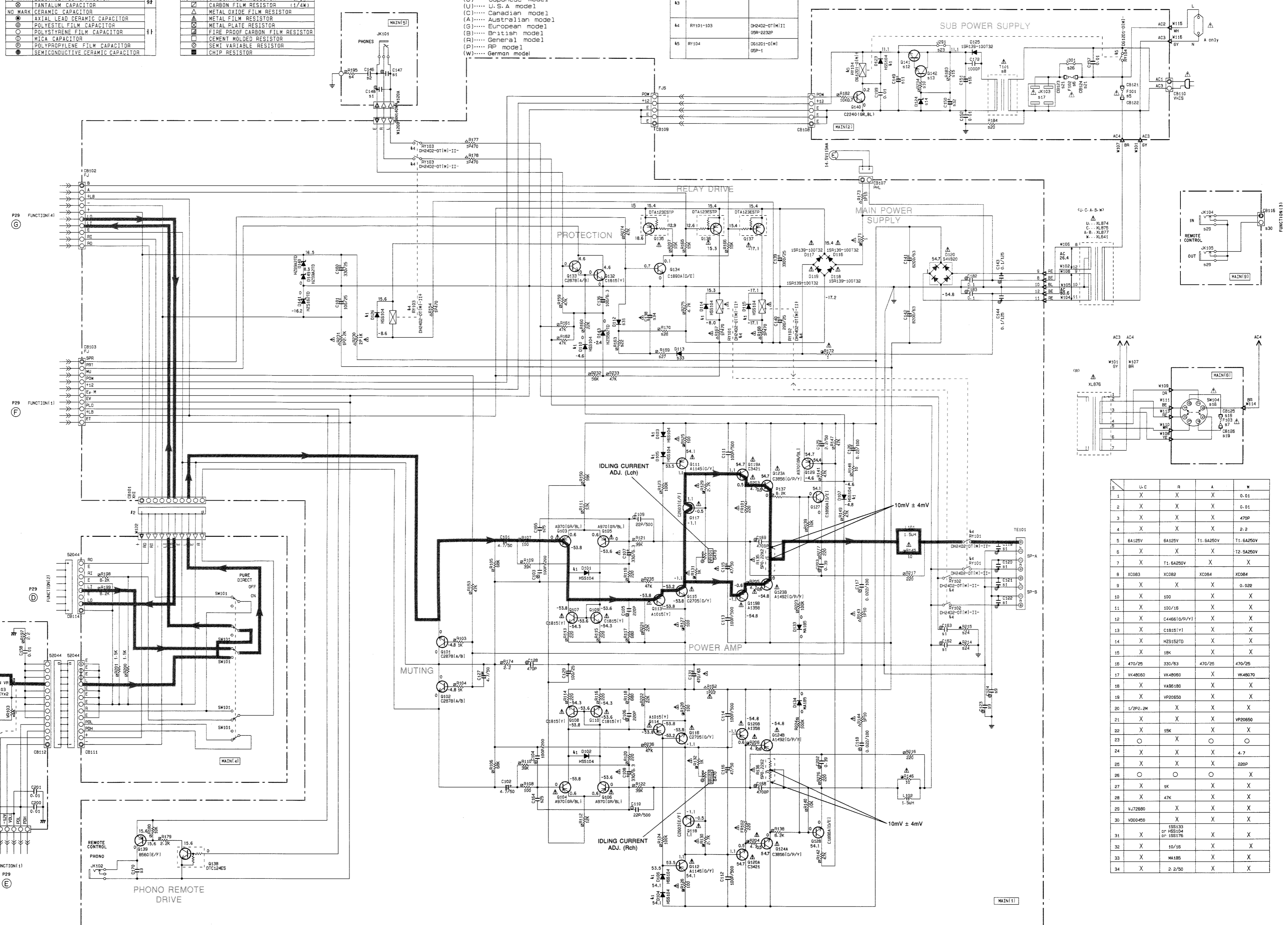


Table with 2 columns: CAPACITOR and REMARKS. Lists various capacitor types like electrolytic, tantalum, ceramic, axial lead, polyester, polypropylene, mica, and semiconductive ceramic.

Table with 2 columns: RESISTOR and REMARKS. Lists various resistor types like carbon film, metal oxide film, metal film, metal plate, fire proof carbon film, cement molded, semi variable, and chip resistors.

NOTICE: (J) Japanese model, (U) U.S.A model, (C) Canadian model, (A) Australian model, (S) European model, (B) British model, (P) General model, (D) RP model, (W) German model.

Interchangeable Parts at Manufacture-Stage table with columns: Mark, Reference Parts Number, and Parts Name. Lists parts like HS5194, HS5133, HS5176, etc.



Parts list table with columns: S, U-C, R, A, W. Lists various components and their specifications, such as resistors (1.5K, 4.7K, etc.), capacitors (0.01, 0.022, etc.), and diodes (1N4001, etc.).

All voltage are measured with a 10MΩ/DC electric volt meter. Components having special characteristics are marked Δ and must be replaced with parts having specifications equal to those originally installed. Schematic diagram is subject to change without notice.

# PARTS LIST

## ■ ELECTRICAL PARTS

### ■ WARNING

Components having special characteristics are marked  $\triangle$  and must be replaced with parts having specifications equal to those originally installed.

- Carbon resistors (1/6W or 1/4W) are not included in the ELECTRICAL PARTS List. For the parts No. of the carbon resistors, refer to last page.

### ABBREVIATIONS IN THIS LIST ARE AS FOLLOWS :

C.A.EL.CHP	: CHIP ALUMI. ELECTROLYTIC CAP	L.EMIT	: LIGHT EMITTING MODULE
C.CE	: CERAMIC CAP	LED.DSPLY	: LED DISPLAY
C.CE.ARRAY	: CERAMIC CAP ARRAY	LED.INFRD	: LED, INFRARED
C.CE.CHP	: CHIP CERAMIC CAP	MODUL.RF	: MODULATOR, RF
C.CE.ML	: MULTILAYER CERAMIC CAP	PHOT.CPL	: PHOTO COUPLER
C.CE.M.CHP	: CHIP MULTILAYER CERAMIC CAP	PHOT.INTR	: PHOTO INTERRUPTER
C.CE.SAFTY	: RECOGNIZED CERAMIC CAP	PHOT.RFLCT	: PHOTO REFLECTOR
C.CE.TUBLR	: CERAMIC TUBULAR CAP	PIN.TEST	: PIN, TEST POINT
C.CE.SMI	: SEMI CONDUCTIVE CERAMIC CAP	PLST.RIVET	: PLASTIC RIVET
C.EL	: ELECTROLYTIC CAP	R.ARRAY	: RESISTOR ARRAY
C.MICA	: MICA CAP	R.CAR	: CARBON RESISTOR
C.ML.FLM	: MULTILAYER FILM CAP	R.CAR.CHP	: CHIP RESISTOR
C.MP	: METALLIZED PAPER CAP	R.CAR.FP	: FLAME PROOF CARBON RESISTOR
C.MYLAR	: MYLAR FILM CAP	R.FUS	: FUSABLE RESISTOR
C.MYLAR.ML	: MULTILAYER MYLAR FILM CAP	R.MTL.CHP	: CHIP METAL FILM RESISTOR
C.PAPER	: PAPER CAPACITOR	R.MTL.FLM	: METAL FILM RESISTOR
C.PLS	: POLYSTYRENE FILM CAP	R.MTL.OXD	: METAL OXIDE FILM RESISTOR
C.POL	: POLYESTER FILM CAP	R.MTL.PLAT	: METAL PLATE RESISTOR
C.POLY	: POLYETHYLENE FILM CAP	RSNR.CE	: CERAMIC RESONATOR
C.PP	: POLYPROPYLENE FILM CAP	RSNR.CRYS	: CRYSTAL RESONATOR
C.TNTL	: TANTALUM CAP	R.TW.CEM	: TWIN CEMENT FIXED RESISTOR
C.TNTL.CHP	: CHIP TANTALUM CAP	R.WW	: WIRE WOUND RESISTOR
C.TRIM	: TRIMMER CAP	SCR.BND.HD	: BIND HEAD B-TITE SCREW
CN	: CONNECTOR	SCR.BW.HD	: BW HEAD TAPPING SCREW
CN.BS.PIN	: CONNECTOR, BASE PIN	SCR.CUP	: CUP TITE SCREW
CN.CANNON	: CONNECTOR, CANNON	SCR.TERM	: SCREW TERMINAL
CN.DIN	: CONNECTOR, DIN	SCR.TR	: SCREW, TRANSISTOR
CN.FLAT	: CONNECTOR, FLAT CABLE	SUPRT.PCB	: SUPPORT, P.C.B.
CN.POST	: CONNECTOR, BASE POST	SURG.PRTCT	: SURGE PROTECTOR
COIL.MX.AM	: COIL, AM MIX	SW.TACT	: TACT SWITCH
COIL.AT.FM	: COIL, FM ANTENNA	SW.LEAF	: LEAF SWITCH
COIL.DT.FM	: COIL, FM DETECT	SW.LEVER	: LEVER SWITCH
COIL.MX.FM	: COIL, FM MIX	SW.MICRO	: MICRO SWITCH
COIL.OUTPT	: OUTPUT COIL	SW.PUSH	: PUSH SWITCH
DIOD.ARRAY	: DIODE ARRAY	SW.RT.ENC	: ROTARY ENCODER
DIOD.BRG	: DIODE BRIDGE	SW.RT.MTR	: ROTARY SWITCH WITH MOTOR
DIOD.CHP	: CHIP DIODE	SW.RT	: ROTARY SWITCH
DIOD.VAR	: VARACTOR DIODE	SW.SLIDE	: SLIDE SWITCH
DIOD.Z.CHP	: CHIP ZENER DIODE	TERM.SP	: SPEAKER TERMINAL
DIOD.ZENR	: ZENER DIODE	TERM.WRAP	: WRAPPING TERMINAL
DSCR.CE	: CERAMIC DISCRIMINATOR	THRMST.CHP	: CHIP THERMISTOR
FER.BEAD	: FERRITE BEADS	TR.CHP	: CHIP TRANSISTOR
FER.CORE	: FERRITE CORE	TR.DGT	: DIGITAL TRANSISTOR
FET.CHP	: CHIP FET	TR.DGT.CHP	: CHIP DIGITAL TRANSISTOR
FL.DSPLY	: FLUORESCENT DISPLAY	TRANS	: TRANSFORMER
FLTR.CE	: CERAMIC FILTER	TRANS.PULS	: PULSE TRANSFORMER
FLTR.COMB	: COMB FILTER MODULE	TRANS.PWR	: POWER TRANSFORMER ASS'y
FLTR.LC.RF	: LC FILTER ,EMI	TUNER.AM	: TUNER PACK, AM
GND.MTL	: GROUND PLATE	TUNER.FM	: TUNER PACK, FM
GND.TERM	: GROUND TERMINAL	TUNER.PK	: FRONT-END TUNER PACK
HOLDER.FUS	: FUSE HOLDER	VR	: ROTARY POTENTIOMETER
IC.PRTCT	: IC PROTECTOR	VR.MTR	: POTENTIOMETER WITH MOTOR
JUMPER.CN	: JUMPER CONNECTOR	VR.SW	: POTENTIOMETER WITH ROTARY SW
JUMPER.TST	: JUMPER, TEST POINT	VR.SLIDE	: SLIDE POTENTIOMETER
L.DTCT	: LIGHT DETECTING MODULE	VR.TRIM	: TRIMMER POTENTIOMETER

Note) Those parts marked with "#" are not included in the P.C.B. ass'y.



MAIN P. C. B.

RX-770

Schm Ref.	PART NO.	Description			
*	VP393700	P.C.B.	MAIN (UC)		
*	VP393800	P.C.B.	MAIN (R)		
*	VP393900	P.C.B.	MAIN (A)		
*	VP394000	P.C.B.	MAIN (W)		
	CB101	VL845400	CNT.PST	XH	10P TE
	CB102	VK217300	CNT	FJ	10P
	CB103	VK217300	CNT	FJ	10P
	CB107	VB858100	CNT.PST	PH	2P SE
*	CB108	VP768100	CNT.BSP	FJ	5P TE
	CB110	VG879900	CNT.BSP	VH	2P TE
	CB111	VQ044600	CNT	52044	13P SE
	CB112	VQ044600	CNT	52044	13P SE
	CB113	VN066500	CNT	52044-1210	
	CB114	VP682300	CNT	52045	8P SE
	CB115	VD004500	CNT.BSP	PH i-TYPE	2P TE
	CB116	VD004500	CNT.BSP	PH i-TYPE	2P (UC)
	CB121	VP206500	HOLDER.FUS	EYF-52BC	
	CB122	VP206500	HOLDER.FUS	EYF-52BC	
	CB123	VP206500	HOLDER.FUS	EYF-52BC (W)	
	CB124	VP206500	HOLDER.FUS	EYF-52BC (W)	
	CB125	VP206500	HOLDER.FUS	EYF-52BC	
	CB126	VP206500	HOLDER.FUS	EYF-52BC	
	C101	VE021900	C.EL	4.7uF	100V
	C102	VE021900	C.EL	4.7uF	100V
	C103	VK533900	C.PP	100pF	200V
	C104	VK533900	C.PP	100pF	200V
	C105	VK984200	C.MYLAR	220pF	50V
	C106	VK984200	C.MYLAR	220pF	50V
	C107	Vi531500	C.EL	330uF	6.3V
	C108	Vi531500	C.EL	330uF	6.3V
	C109	FU351220	C.MICA	22pF	500V
	C110	FU351220	C.MICA	22pF	500V
*	C111	VP907200	C.CE	100pF	500V
*	C112	VP907200	C.CE	100pF	500V
*	C113	VP907200	C.CE	100pF	500V
*	C114	VP907200	C.CE	100pF	500V
	C115	VG291200	C.EL	47uF	50V
	C116	VG291200	C.EL	47uF	50V
	C117	VK534200	C.PP	0.022uF	100V
	C118	VK534200	C.PP	0.022uF	100V
*	C119	VE324800	C.MYLAR.M	0.01uF	50V (W)
*	C120	VE324800	C.MYLAR.M	0.01uF	50V (W)
*	C121	VE324800	C.MYLAR.M	0.01uF	50V (W)
*	C122	VE324800	C.MYLAR.M	0.01uF	50V (W)
	C123	UA654220	C.MYLAR	0.022uF	50V (W)
	C124	UA654220	C.MYLAR	0.022uF	50V (W)
	C125	VG290600	C.EL	2.2uF	50V
	C126	UJ895220	C.EL	0.22uF	100V
	C127	VD929600	C.EL	4.7uF	50V
	C128	UA652470	C.MYLAR	470pF	50V
	C129	VG288900	C.EL	100uF	25V
	C131	VK699400	C.EL	330uF	63V
	C136	VF760000	C.EL	100uF	10V

\* New Parts

Schm Ref.	PART NO.	Description			
	C138	VG290600	C.EL	2.2uF	50V (R)
	C139	VG289400	C.EL	3300uF	25V
	C140	VG289000	C.EL	220uF	25V
	C141	VK574500	C.EL	8200uF	63V
	C142	VK574500	C.EL	8200uF	63V
*	C143	VP907300	C.PP	0.1uF	125V
*	C144	VP907300	C.PP	0.1uF	125V
	C145	VN508100	C.EL	47uF	6.3V
	C146	UG444100	C.CE	0.01uF	50V (W)
*	C147	VE324800	C.MYLAR.M	0.01uF	50V (W)
*	C148	VE324800	C.MYLAR.M	0.01uF	50V (W)
	C149	VG288900	C.EL	100uF	25V (R)
	C150	VG290900	C.EL	10uF	50V (R)
	C151	VG289200	C.EL	470uF	25V (UCAW)
	C151	VK699400	C.EL	330uF	63V (R)
	C152	UG444100	C.CE	0.01uF	50V
	C157	F1514100	C.CCE	0.01uF	VA-1
	C158	UG444100	C.CE	0.01uF	50V
*	C162	VE324800	C.MYLAR.M	0.01uF	50V (W)
*	C163	VE324800	C.MYLAR.M	0.01uF	50V (W)
	C164	FG212220	C.CE	220pF	50V (W)
	C165	FG212220	C.CE	220pF	50V (W)
	C168	UA653470	C.MYLAR	4700pF	50V
	C169	UA653470	C.MYLAR	4700pF	50V
	C170	FG212470	C.CE	470pF	50V (W)
	C172	FG213470	C.CE	4700pF	50V
	C180	VG289100	C.EL	330uF	25V
	C181	VG288900	C.EL	100uF	25V
	C182	VK398700	C.MYLAR.M	0.1uF	50V
	C183	VK398700	C.MYLAR.M	0.1uF	50V
	C199	UG444100	C.CE	0.01uF	50V
	C200	UG444100	C.CE	0.01uF	50V
	C201	UG444100	C.CE	0.01uF	50V
	C202	VE326700	C.MYLAR.M	0.39uF	50V
	C203	VE326700	C.MYLAR.M	0.39uF	50V
	D101	VD631600	DIOD	1SS133, 176, HSS104	
	D102	VD631600	DIOD	1SS133, 176, HSS104	
	D103	VD631600	DIOD	1SS133, 176, HSS104	
	D104	VD631600	DIOD	1SS133, 176, HSS104	
	D105	VD631600	DIOD	1SS133, 176, HSS104	
	D106	VD631600	DIOD	1SS133, 176, HSS104	
	D107	VD631600	DIOD	1SS133, 176, HSS104	
	D110	VD631600	DIOD	1SS133, 176, HSS104	
	D112	VD631600	DIOD	1SS133, 176, HSS (R)	
	D113	VC398400	DIOD	MA185 (R)	
	D114	VD631600	DIOD	1SS133, 176, HSS104	
	D115	VD631600	DIOD	1SS133, 176, HSS104	
	D116	VH770800	DIOD	1SR139-100 T-32	
	D117	VH770800	DIOD	1SR139-100 T-32	
	D118	VH770800	DIOD	1SR139-100 T-32	
	D119	VH770800	DIOD	1SR139-100 T-32	
	D120	iH001090	DIOD.BRG	S4VB20	2.6A 200V
	D123	VD631600	DIOD	1SS133, 176, HSS104	

\* New Parts

MAIN P. C. B.

Schm Ref.	PART NO.	Description	
D124	VM975800	DIOD.ZENR	HZS152TD 15V(R)
D125	VH770800	DIOD	1SR139-100 T-32
D126	VD631600	DIOD	1SS133,176,HSS104
D133	VC398400	DIOD	MA185
D134	VC398400	DIOD	MA185
D140	VM974900	DIOD.ZENR	HZS9A2TD 9.0V
D141	VM975900	DIOD.ZENR	HZS162TD 16V
D143	VG437400	DIOD.ZENR	MTZJ5.1B 5.1V
* D145	VP593800	LED	SLR-305DCA47 (or)
D149	VM974900	DIOD.ZENR	HZS9A2TD 9.0V
F101	KB003060	FUSE	TL1.6A 250V(AW)
F101	KB003640	FUSE	T6.0A 125V(UCR)
F102	KB000690	FUSE	T2.5A 250V(W)
F103	KB003060	FUSE	TL1.6A 250V(R)
FR101	VK188200	R.FUS	220Ω 1/4W
FR102	VK188200	R.FUS	220Ω 1/4W
JK101	LB301720	JACK.PHONE	M1669-A
JK102	VJ726800	JACK.MINI	
JK103	VK480600	OUTLET	(UCR)
JK103	VK480700	OUTLET	(W)
JK104	VJ726800	JACK.MINI	(UC)
JK105	VJ726800	JACK.MINI	(UC)
* L101	VP575600	COIL	1.5uH
* L102	VP575600	COIL	1.5uH
Q101	iC287820	TR	2SC2878 A,B
Q102	iC287820	TR	2SC2878 A,B
Q103	iA097000	TR	2SA970 GR,BL
Q104	iA097000	TR	2SA970 GR,BL
Q105	iA097000	TR	2SA970 GR,BL
Q106	iA097000	TR	2SA970 GR,BL
Q107	iC1815C0	TR	2SC1815 Y
Q108	iC1815C0	TR	2SC1815 Y
Q109	iC1815C0	TR	2SC1815 Y
Q110	iC1815C0	TR	2SC1815 Y
Q111	VE198700	TR	2SA1145 O,Y
Q112	VE198700	TR	2SA1145 O,Y
Q113	iA101521	TR	2SA1015 Y
Q114	iA101521	TR	2SA1015 Y
Q115	VE198800	TR	2SC2705 O,Y
Q116	VE198800	TR	2SC2705 O,Y
Q117	iC260320	TR	2SC2603 E,F
Q118	iC260320	TR	2SC2603 E,F
Q119A	iX603590	TR	2SC3421
Q119B	iX603580	TR	2SA1358
Q120A	iX603590	TR	2SC3421
Q120B	iX603580	TR	2SA1358
# Q123A	iX606470	TR	2SC3856 O,P,Y
# Q123B	iX606460	TR	2SA1492 O,P,Y
# Q124A	iX606470	TR	2SC3856 O,P,Y
# Q124B	iX606460	TR	2SA1492 O,P,Y
* Q127	VP883100	TR	2SC1890A D,E
* Q128	VP883100	TR	2SC1890A D,E
Q129	iA097000	TR	2SA970 GR,BL

\* New Parts

Schm Ref.	PART NO.	Description	
Q132	iC1815C0	TR	2SC1815 Y
Q133	iC287820	TR	2SC2878 A,B
* Q134	VP883100	TR	2SC1890A D,E
Q135	VF325300	TR.DGT	DTA123ESTP
Q136	VF325300	TR.DGT	DTA123ESTP
Q137	VF325300	TR.DGT	DTA123ESTP
Q138	VF331200	TR.DGT	DTC124ES
Q139	iB056020	TR	2SB560 E,F
Q140	iC224030	TR	2SC2240 GR,BL
* Q141	VP768300	TR	2SC4466 O,P,Y(R)
Q142	iC1815C0	TR	2SC1815 Y(R)
R125	HV455100	R.CAR.FR	100Ω 1/4W
R126	HV455100	R.CAR.FR	100Ω 1/4W
R127	HV455100	R.CAR.FR	100Ω 1/4W
R128	HV455100	R.CAR.FR	100Ω 1/4W
R129	HV456270	R.CAR.FR	2.7KΩ 1/4W
R130	HV456270	R.CAR.FR	2.7KΩ 1/4W
R131	HV456100	R.CAR.FR	1KΩ 1/4W
R132	HV456100	R.CAR.FR	1KΩ 1/4W
R135	HZ003780	R.MTL.PLAT	0.22Ω+0.22 5W
R136	HZ003780	R.MTL.PLAT	0.22Ω+0.22 5W
R143	HL314100	R.MTL.OXD	10Ω 1W
R144	HL314100	R.MTL.OXD	10Ω 1W
R145	HV454100	R.CAR.FR	10Ω 1/4W
R146	HV454100	R.CAR.FR	10Ω 1/4W
R152	HL314220	R.MTL.OXD	22Ω 1W
R154	HL315470	R.MTL.OXD	470Ω 1W
R167	HL315470	R.MTL.OXD	470Ω 1W
R168	HL315470	R.MTL.OXD	470Ω 1W
R171	HV453100	R.CAR.FR	1Ω 1/4W
R172	HV453100	R.CAR.FR	1Ω 1/4W
* R173	VP939900	R.MTL.OXD	15Ω 1W
R177	HL315470	R.MTL.OXD	470Ω 1W
R178	HL315470	R.MTL.OXD	470Ω 1W
R203	HV453470	R.CAR.FR	4.7Ω 1/4W
R204	HV453470	R.CAR.FR	4.7Ω 1/4W
R205	HV453470	R.CAR.FR	4.7Ω 1/4W
R206	HV453470	R.CAR.FR	4.7Ω 1/4W
R214	HL313470	R.MTL.OXD	4.7Ω 1W(W)
R215	HL313470	R.MTL.OXD	4.7Ω 1W(W)
R230	HL326100	R.MTL.OXD	1KΩ 2W
R231	HL416220	R.MTL.OXD	2.2KΩ 1W
RY101	VK438300	RELAY	DH24D2-OTM-II
RY102	VK438300	RELAY	DH24D2-OTM-II
RY103	VK438300	RELAY	DH24D2-OTM-II
RY104	VD506000	RELAY	AC DG12D1-0M
* SW101	VP870800	SW.PUSH	SPUL12
SW104	VA961800	VOLT.SELCT	ESE-37247-F (R)
T101	XC082A00	TRANS.PWR	(R)
T101	XC083A00	TRANS.PWR	(UC)
T101	XC084A00	TRANS.PWR	(AW)
TE101	VC313700	TERM.SP	8P
VR101	VJ692800	VR.TRIM	B470Ω

\* New Parts

RX-770

FUNCTION P. C. B.

RX-770

Schm Ref.	PART NO.	Description		
VR102	VJ692800	VR.TRIM	B470Ω	
* VR103	VP766900	VR.ROTARY	Y100KΩ	
	BB071360	SCR.TERM	8.3x13	
	BB070700	GND.MTL		
* *	VP394200	FUNCTION(UC)		
* *	VP394300	FUNCTION(R)		
* *	VP394400	FUNCTION(A)		
* *	VP394500	FUNCTION(W)		
CB301	VM923600		52045	13P TE
CB303	VB994900	CNT	MQ	9P
CB305	VA252300	CNT	MQ	5P
CB306	VQ044600	CNT	52044	13P SE
CB307	VN066500	CNT	52044-1210	
CB308	VP682200	CNT	52045	8P TE
CB311	VB994800	CNT	MQ	7P
CB312	VB994800	CNT	MQ	7P
CB313	VD004500	CNT.BSP	PH i-TYPE	2P TE
CB314	VD005000	CNT.BSP	PH i-TYPE	7P TE
CB315	VB994800	CNT	MQ	7P
CB316	VD005100	CNT.BSP	PH i-TYPE	8P TE
CB317	Vi378000	CNT.PIN	MQ	10P TE
CB318	Vi377600	CNT.PIN	MQ	6P TE
CB319	VB390500	CNT.BSP	PH	9P TE
C301	FG212220	C.CE	220pF	50V(W)
C302	FG212220	C.CE	220pF	50V(W)
C303	UG444100	C.CE	0.01uF	50V
C304	VK534000	C.PP	220pF	200V
C305	VK534000	C.PP	220pF	200V
C306	VD930900	C.CERA.SM	0.1uF	25V
C307	FG212220	C.CE	220pF	50V
C308	FG212220	C.CE	220pF	50V
C309	FG212220	C.CE	220pF	50V(W)
C309	VE551900	C.CE	100pF	50V(UCRA)
C310	FG212220	C.CE	220pF	50V(W)
C310	VE551900	C.CE	100pF	50V(UCRA)
C311	FG212220	C.CE	220pF	50V
C312	FG212220	C.CE	220pF	50V
C313	FG212220	C.CE	220pF	50V(W)
C313	VE551900	C.CE	100pF	50V(UCRA)
C314	FG212220	C.CE	220pF	50V(W)
C314	VE551900	C.CE	100pF	50V(UCRA)
C315	VD930900	C.CERA.SM	0.1uF	25V
C316	VG278400	C.CE.TUBLR	220pF	50V
C317	VG278400	C.CE.TUBLR	220pF	50V
C318	FG212220	C.CE	220pF	50V(W)
C319	UG444100	C.CE	0.01uF	50V
C320	FG212220	C.CE	220pF	50V(W)
C321	FG212220	C.CE	220pF	50V(W)
C322	FG212220	C.CE	220pF	50V(W)
C323	VG286600	C.EL	1000uF	6.3V
C324	VG290900	C.EL	10uF	50V
C325	VG286600	C.EL	1000uF	6.3V

\* New Parts

Schm Ref.	PART NO.	Description			
C326	VG290900	C.EL	10uF	50V	
C327	VG290500	C.EL	1uF	50V	
C328	VG286900	C.EL	220uF	10V	
C329	FG252270	C.CE	270pF	50V	
C330	VG286900	C.EL	220uF	10V	
C331	FG252270	C.CE	270pF	50V	
C332	VG290500	C.EL	1uF	50V	
C333	VD929600	C.EL	4.7uF	50V	
C334	VG287100	C.EL	470uF	10V	
C336	VG290600	C.EL	2.2uF	50V	
C337	UA654330	C.MYLAR	0.033uF	50V	
C338	UA653910	C.MYLAR	9100pF	50V	
C339	UA654330	C.MYLAR	0.033uF	50V	
C340	UA653910	C.MYLAR	9100pF	50V	
C341	VG290600	C.EL	2.2uF	50V	
C342	VD930900	C.CERA.SM	0.1uF	25V	
C344	VG288900	C.EL	100uF	25V	
C345	VG288900	C.EL	100uF	25V	
C346	VD916400	C.EL	2.2uF	50V	
C347	VG288900	C.EL	100uF	25V	
C348	VG290300	C.EL	0.47uF	50V	
C349	VE551900	C.CE	100pF	50V	
C350	FG212220	C.CE	220pF	50V	
C351	VG290600	C.EL	2.2uF	50V	
C352	VG288900	C.EL	100uF	25V	
C353	FG212220	C.CE	220pF	50V	
C354	VE551900	C.CE	100pF	50V	
C355	VG290300	C.EL	0.47uF	50V	
C358	VD929600	C.EL	4.7uF	50V	
C359	VE551500	C.CE	47pF	50V	
C360	VG291000	C.EL	22uF	50V	
C361	UA655120	C.MYLAR	0.12uF	50V	
C362	VG290600	C.EL	2.2uF	50V	
C363	VG291000	C.EL	22uF	50V	
C364	UA655120	C.MYLAR	0.12uF	50V	
C365	VE551500	C.CE	47pF	50V	
C366	UG444100	C.CE	0.01uF	50V	
C367	FG212680	C.CE	680pF	50V	
C369	UA654560	C.MYLAR	0.056uF	50V	
C370	UA654330	C.MYLAR	0.033uF	50V	
C371	UA654330	C.MYLAR	0.033uF	50V	
C373	UA654560	C.MYLAR	0.056uF	50V	
C374	FG212680	C.CE	680pF	50V	
C375	VG290900	C.EL	10uF	50V	
C376	VG288900	C.EL	100uF	25V	
C377	VG287800	C.EL	330uF	16V	
C378	VD930900	C.CERA.SM	0.1uF	25V	
C379	UG444100	C.CE	0.01uF	50V	
C380	VG290900	C.EL	10uF	50V	
C381	VG287800	C.EL	330uF	16V	
C382	VG290900	C.EL	10uF	50V	
C383	VD930900	C.CERA.SM	0.1uF	25V	
C384	VC613700	C.EL	4700uF	5.5V	

\* New Parts

**FUNCTION P. C. B.**

Schm Ref.	PART NO.	Description
C385	VG287800	C.EL 330uF 16V
C386	VG290500	C.EL 1uF 50V
C387	VG290900	C.EL 10uF 50V
C388	VG290300	C.EL 0.47uF 50V
C389	VG290900	C.EL 10uF 50V
C390	FG251220	C.CE 22pF 50V
C391	UG444100	C.CE 0.01uF 50V
C392	UG444100	C.CE 0.01uF 50V
C393	VG290500	C.EL 1uF 50V
C394	VG290500	C.EL 1uF 50V
C395	VG288900	C.EL 100uF 25V
C396	VG288900	C.EL 100uF 25V
C397	VG290900	C.EL 10uF 50V
C398	VG290900	C.EL 10uF 50V
C400	VE551900	C.CE 100pF 50V
C401	VE551900	C.CE 100pF 50V
C402	VG277700	C.CE.TUBLR 68pF 50V
C403	VG277700	C.CE.TUBLR 68pF 50V
C404	VG277700	C.CE.TUBLR 68pF 50V
* D301	VM975000	DIOD.ZENR HZS9B2TD 9.0V
D306	VD631600	DIOD 1SS133,176,HSS104
D307	VD631600	DIOD 1SS133,176,HSS104
D308	VM973700	DIOD.ZENR HZS4A2TD 4.0V
D309	VM974200	DIOD.ZENR HZS5C2TD 5.0V
D314	VM974200	DIOD.ZENR HZS5C2TD 5.0V
D315	VM975500	DIOD.ZENR HZS12A2TD 12V
D316	VD631600	DIOD 1SS133,176,HSS104
* D317	VM975300	DIOD.ZENR HZS11B2TD 11V
D318	VD631600	DIOD 1SS133,176,HSS104
D319	VD631600	DIOD 1SS133,176,HSS104
D320	VD631600	DIOD 1SS133,176,HSS104
D321	VM974500	DIOD.ZENR HZS6C2TD 6.0V
D322	VD631600	DIOD 1SS133,176,HSS104
D323	VM974300	DIOD.ZENR HZS6A2TD 6.0V
D324	VD631600	DIOD 1SS133,176,HSS104
D325	VD631600	DIOD 1SS133,176,HSS104
D326	VD631600	DIOD 1SS133,176,HSS104
D327	VD631600	DIOD 1SS133,176,HSS104
D328	VF402500	LED SLR-34DC3H3 (or)
D330	VP276400	LED SLR-33VC3H3 (r) (W)
D335	VP489100	SIR-481ST3F
IC301	XH436A00	IC LA7956
IC303	XE322001	IC NJM2068S-D
IC304	XE322001	IC NJM2068S-D
* IC306	XM111A00	IC M38002M2-212SP
IC307	XJ596A00	IC NJM78L05A
IC308	XF494A00	IC LB1641
IC309	XF494A00	IC LB1641
IC310	XF494A00	IC LB1641
IC311	XE322001	IC NJM2068S-D
L301	VB056900	COIL 220uH (W)
L302	VB056900	COIL 220uH (W)
* PJ301	VP768000	JACK.PIN 2P YKC21-3084

\* New Parts

Schm Ref.	PART NO.	Description
PJ302	VJ249500	JACK.PIN 4P
* PJ303	VL552800	JACK.PIN 4P YKC21-3084
PJ304	VJ249500	JACK.PIN 4P
PJ305	LB401040	JACK.PIN 4P
PJ306	VM750500	JACK.PIN 4P
Q301	iC287820	TR 2SC2878 A,B
Q302	iC287820	TR 2SC2878 A,B
Q303	iC224030	TR 2SC2240 GR,BL
Q304	VD678700	TR.DGT DTC114ES (W)
Q310	VD678500	TR.DGT DTA114ES
Q311	VG722000	TR.DGT DTC144ES
Q312	VD678700	TR.DGT DTC114ES (W)
Q313	VC938500	TR 2SC3852
Q314	VC938500	TR 2SC3852
Q315	iA093320	TR 2SA933S Q,R
Q316	iC174020	TR 2SC1740S R,S
Q317	iC174020	TR 2SC1740S R,S
Q318	VG722000	TR.DGT DTC144ES
Q319	iA101521	TR 2SA1015 Y
Q320	iC1815C0	TR 2SC1815 Y
Q321	iA093320	TR 2SA933S Q,R
Q322	iC174020	TR 2SC1740S R,S
R352	HV455100	R.CAR.FR 100Ω 1/4W
R396	HV454100	R.CAR.FR 10Ω 1/4W
R412	HV453220	R.CAR.FR 2.2Ω 1/4W
R441	HV455100	R.CAR.FR 100Ω 1/4W
R442	HV455100	R.CAR.FR 100Ω 1/4W
R456	HV454100	R.CAR.FR 10Ω 1/4W
R457	HV454100	R.CAR.FR 10Ω 1/4W
R467	HV455470	R.CAR.FR 470Ω 1/4W
R468	HV455470	R.CAR.FR 470Ω 1/4W
SW301	VJ786400	SW.ROTARY SRRZS4
SW302	VK475200	SW.ROTARY SRBA
* SW303	VP924100	SW.PUSH PSC02 CF4K2K
SW311	VG392900	SW.TACT SKHVAA
SW312	VG392900	SW.TACT SKHVAA
SW313	VG392900	SW.TACT SKHVAA
SW314	VG392900	SW.TACT SKHVAA
SW315	VG392900	SW.TACT SKHVAA
SW316	VG392900	SW.TACT SKHVAA
SW317	VG392900	SW.TACT SKHVAA
SW318	VG392900	SW.TACT SKHVAA
SW319	VG392900	SW.TACT SKHVAA
SW320	VG392900	SW.TACT SKHVAA
SW321	VG392900	SW.TACT SKHVAA
SW322	VG392900	SW.TACT SKHVAA
SW323	VG392900	SW.TACT SKHVAA
SW324	VG392900	SW.TACT SKHVAA
SW325	VG392900	SW.TACT SKHVAA
U301	VF926500	L.DETECT GP1U501X
* VR301	VP741800	VR.ROTARY B20KΩ
* VR302	VP741900	VR.ROTARY G25KΩ
* VR303	VP700800	VR A100KΩ

\* New Parts

**TUNER & LCD P. C. B.**

Schm Ref.	PART NO.	Description
* VR304	VP742000	VR.ROTARY MN50KΩ
XL301	VD827600	CERA.RESNR 4MHz
	VB966900	PIN IMSA-6024
	VQ149300	DAMPR 3x8x15
	VP395000	TUNER (UC)
	VP395100	TUNER (R)
	VP395200	TUNER (A)
	VP395300	TUNER (W)
C1	VG287800	C.EL 330uF 16V
C2	VG280100	C.CE.TUBLR 0.022uF 25V
C3	VJ599000	C.CE.TUBLR 0.047uF 16V
C4	VG290900	C.EL 10uF 50V
C5	VF467300	C.CE.TUBLR 0.01uF 16V
C6	VG288900	C.EL 100uF 25V
C7	VG290500	C.EL 1uF 50V
C8	VF467300	C.CE.TUBLR 0.01uF 16V
C9	VF467300	C.CE.TUBLR 0.01uF 16V
C10	VF467300	C.CE.TUBLR 0.01uF 16V
C11	VF467000	C.CE.TUBLR 1000pF 50V
C12	VG290900	C.EL 10uF 50V
C13	VG290900	C.EL 10uF 50V
C14	VF467000	C.CE.TUBLR 1000pF 50V
C15	VF467000	C.CE.TUBLR 1000pF 50V
C16	VF466700	C.CE.TUBLR 47pF 50V
C17	VG288900	C.EL 100uF 25V
C18	UA655100	C.MYLAR 0.1uF 50V
C19	VA761200	C.CE 33pF 50V
C20	VG290900	C.EL 10uF 50V
C21	VF466800	C.CE.TUBLR 100pF 50V (UCRA)
C22	VG290600	C.EL 2.2uF 50V
C23	VF467300	C.CE.TUBLR 0.01uF 16V
C24	Vi377400	C.EL 4.7uF 63V
C25	VG290700	C.EL 3.3uF 50V
C26	VG290900	C.EL 10uF 50V
C27	VF467300	C.CE.TUBLR 0.01uF 16V
C28	VA761200	C.CE 33pF 50V
C29	VG290500	C.EL 1uF 50V
C30	VG290500	C.EL 1uF 50V
C31	VG290900	C.EL 10uF 50V
C32	VG290300	C.EL 0.47uF 50V
C33	VG290500	C.EL 1uF 50V
C34	UA654470	C.MYLAR 0.047uF 50V
C35	VD916400	C.EL 2.2uF 50V
C36	UT452390	C.PP 390pF 100V (W)
C36	UT452470	C.PP 470pF 100V (A)
C36	UT452680	C.PP 680pF 100V (UCR)
C37	UT452390	C.PP 390pF 100V (W)
C37	UT452470	C.PP 470pF 100V (A)
C37	UT452680	C.PP 680pF 100V (UCR)
C38	VF466900	C.CE.TUBLR 470pF 50V
C39	VG290900	C.EL 10uF 50V
C40	VG290500	C.EL 1uF 50V
C41	UA653270	C.MYLAR 2700pF 50V

\* New Parts

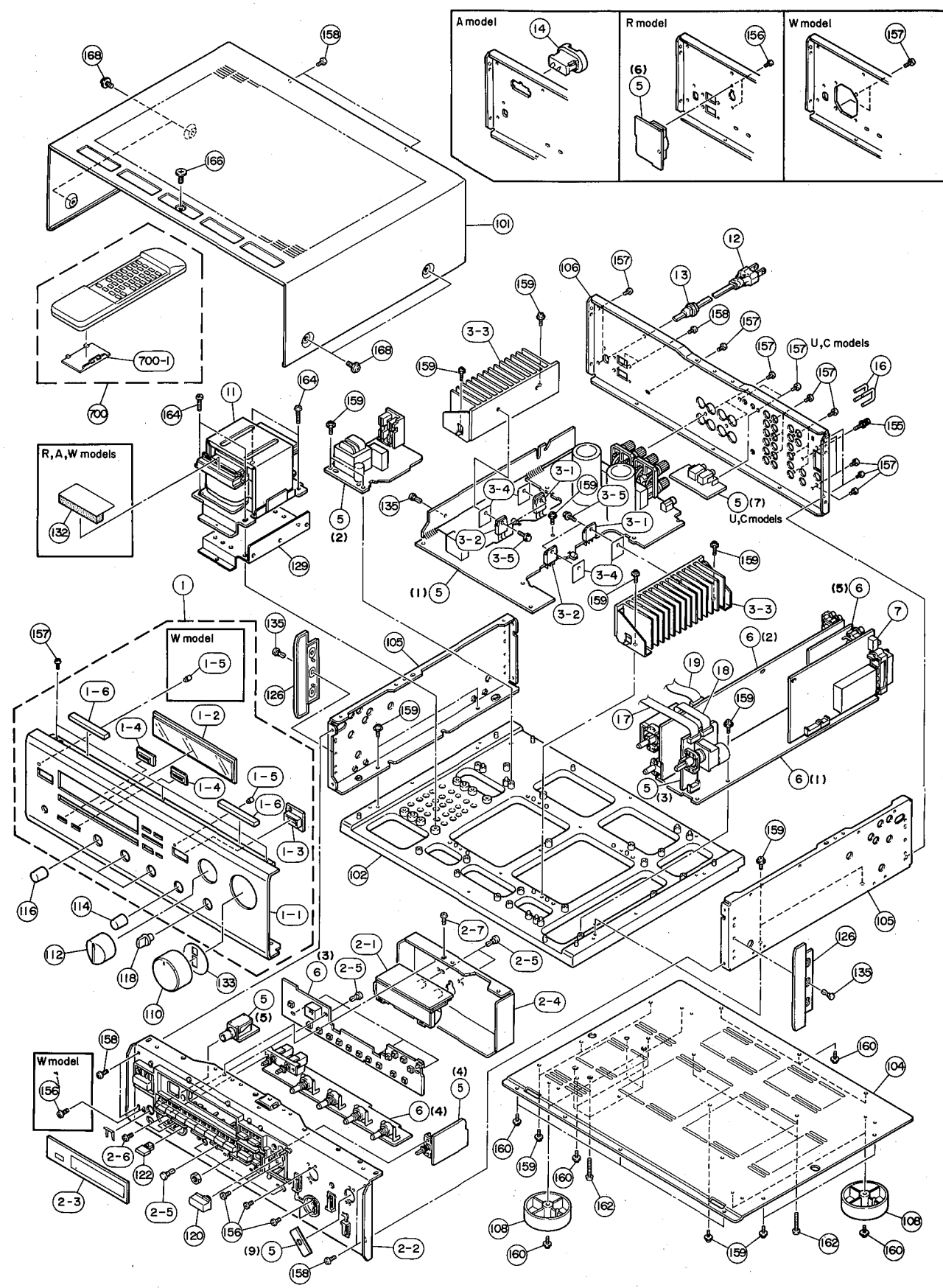
Schm Ref.	PART NO.	Description
C42	VG290900	C.EL 10uF 50V
C43	UA653270	C.MYLAR 2700pF 50V
C44	VG290500	C.EL 1uF 50V
C45	UA653100	C.MYLAR 1000pF 50V
C46	UA653390	C.MYLAR 3900pF 50V
C47	UA653390	C.MYLAR 3900pF 50V
C48	UA653100	C.MYLAR 1000pF 50V
C49	VJ599000	C.CE.TUBLR 0.047uF 16V
D1	VD631600	DIOD 1SS133,176,HSS104
D2	VD631600	DIOD 1SS133,176,HSS104
Fi1	GG000560	FLTR.CERA SFE10.7MS3GHY-A
Fi2	GG000560	FLTR.CERA SFE10.7MS3GHY-A
Fi3	VC219000	FLTR.CERA SFZ450JL3
IC1	XB760001	IC LA1266
IC2	XB818A00	IC LM7000N
IC3	iG158100	IC LA3401
L1	Vi546100	COIL 220uH
L2	Vi546100	COIL 220uH
L3	Vi546100	COIL 220uH
L4	GE901850	COIL 39mH
L5	GE901850	COIL 39mH
PK1	VC219400	TUNER.PK TFFG3E114A (W)
PK1	VK208500	TUNER.PK TFFG1U145A (UCRA)
PK2	Vi027300	COIL.AM
Q1	iC053540	TR 2SC535 A,B,C
Q2	VC218900	TR 2SC3330 R,S,T
Q3	VC218900	TR 2SC3330 R,S,T
Q4	iC053540	TR 2SC535 A,B,C
Q5	VC218700	TR 2SA1317 R,S,T
Q6	VC218900	TR 2SC3330 R,S,T
SW1	VF541200	SW.SLIDE SSSF11 (R)
T1	VC218600	COIL.FM.DT 10.7MHz
T2	GE100470	COIL.AM.IF 450KHz
T3	GE200530	FLTR.LC 114KHz (W)
TE1	LA005800	YKD31-0215
VR1	VJ694000	VR.TRIM B47KΩ
VR2	VJ694000	VR.TRIM B47KΩ
XL1	QU003800	CRY.RESNR 7.2MHz
XL2	GG000750	CERA.RESNR 18.95MHz
	BB071360	SCR.TERM 8.3x13
	VP395500	P.C.B. LCD
C601	VF467000	C.CE.TUBLR 1000pF 50V
C602	VG278900	C.CE.TUBLR 680pF 50V
C603	VJ599100	C.CE.TUBLR 0.1uF 50V
D601	VD631600	DIODE 1SS133,176,HSS104
D602	VG437400	DIODE.ZENR MTZJ5.1B 5.1V
IC601	XB417A00	IC LC7582
V601	VP728800	LCD LCD8252B1JP
	VJ835300	LAMP 115mA 14.5V
	VK235400	RFLCT LCD
	VP858800	SHEET
	VF444500	CAP.LAMP AG-4015
	CB605620	PLST.RIVET No.1781

\* New Parts

RX-770

EXPLODED VIEW

1  
2  
3  
4  
5  
6  
7



MECHANICAL PARTS Note ) Ø : Diameter

Ref. No.	PART NO.	Description	Remarks	Markets
* 1	VP393300	FRONT PANEL UNIT	BL	(UCRA)
* 1	VP393400	FRONT PANEL UNIT	BL	(W)
* 1	VP397600	FRONT PANEL UNIT	TI	(W)
* 1-1	VP334400	FRONT PANEL	BL	(UCRA)
* 1-1	VP334500	FRONT PANEL	BL	(W)
* 1-1	VP334700	FRONT PANEL	TI	(W)
1-2	VJ832800	WINDOW PANEL		
1-3	VH816700	BUTTON GUIDE	10x25	BL
1-3	VH816800	BUTTON GUIDE	10x25	TI
1-4	VJ833200	BUTTON GUIDE	2P	TI
1-4	VJ833300	BUTTON GUIDE	2P	BL
1-5	VH897700	LENS		
* 1-6	VP857700	DAMPER	4x6x55	
* 2-1	VP395500	P.C.B. ASS'y, LCD		
* 2-2	VP595800	SUB CHASSIS		BL
* 2-2	VP595900	SUB CHASSIS		TI
* 2-3	VP859900	SHEET, LCD		
* 2-4	VP596100	FRAME SHIELD		
2-5	CB605620	PLASTIC RIVET	No.1781	
2-6	ED330066	BIND HEAD SCREW	3x6 FCRM3-BL	PACK
2-7	EX602240	BW HEAD TAPPING SCREW	3x10	
3-1	IX606470	TRANSISTOR	2SC3856 O,P,Y	Q123A,Q124A
3-2	IX606460	TRANSISTOR	2SA1492 O,P,Y	Q123B,Q124B
* 3-3	VP493100	HEAT SINK ASS'y		
3-4	VK195900	SHEET	19x24	
3-5	VK173200	SCREW, TRANSISTOR	3x15 SP FCM3	
* 5	VP393700	P.C.B. ASS'y, MAIN		(UC)
* 5	VP393800	P.C.B. ASS'y, MAIN		(R)
* 5	VP393900	P.C.B. ASS'y, MAIN		(A)
* 5	VP394000	P.C.B. ASS'y, MAIN		(W)
* 6	VP394200	P.C.B. ASS'y, FUNCTION		(UC)
* 6	VP394300	P.C.B. ASS'y, FUNCTION		(R)
* 6	VP394400	P.C.B. ASS'y, FUNCTION		(A)
* 6	VP394500	P.C.B. ASS'y, FUNCTION		(W)
* 7	VP395000	P.C.B. ASS'y, TUNER		(UC)
* 7	VP395100	P.C.B. ASS'y, TUNER		(R)
* 7	VP395200	P.C.B. ASS'y, TUNER		(A)
* 7	VP395300	P.C.B. ASS'y, TUNER		(W)
* 11	XL641A00	POWER TRANSFORMER		(W)
* 11	XL874A00	POWER TRANSFORMER		(U)
* 11	XL875A00	POWER TRANSFORMER		(C)
* 11	XL876A00	POWER TRANSFORMER		(R)
* 11	XL877A00	POWER TRANSFORMER		(A)
12	VL012900	POWER CORD ASS'y		(UC)
12	VL238100	POWER CORD ASS'y		(R)
12	VL238400	POWER CORD ASS'y		(A)
12	VL238900	POWER CORD ASS'y		(W)
13	VN158600	CORD STOPPER	No.2104	
14	VP418700	AC OUTLET	2P	
15	CB069250	BINDING TIE	BK-1	
16	LB101110	SHORT PLUG		
17	VP918800	CONNECTOR, FLAT CABLE	13P	140mm
18	VP918700	CONNECTOR, FLAT CABLE	12P	80mm

\* New Parts

Ref. No.	PART NO.	Description	Remarks	Markets
* 19	VQ382900	CONNECTOR, FLAT CABLE	8P 70mm	
101	VL664300	TOP COVER	BL	BL
101	VL664400	TOP COVER	TI	TI
* 102	VN946400	CHASSIS		
* 104	VL664700	BOTTOM COVER		
* 105	VL664800	FRAME, SIDE		
* 106	VP336600	REAR PANEL		(U)
* 106	VP336800	REAR PANEL		(C)
* 106	VP337000	REAR PANEL		(R)
* 106	VP337100	REAR PANEL		(A)
* 106	VP337300	REAR PANEL		(W)
108	VK016500	LEG	Ø60/H21	
110	VK015100	KNOB, LED	Ø45	BL VOLUME
110	VK015200	KNOB, LED	Ø45	TI VOLUME
112	VK220100	KNOB	Ø32	BL INPUT
112	VK220200	KNOB	Ø32	TI INPUT
* 114	VP461100	KNOB	Ø16	TI LOUDNESS
114	VQ065500	KNOB	Ø16	BL LOUDNESS
116	VP511900	KNOB	Ø16	BL BAS.TRE.BAL.
116	VP512000	KNOB	Ø16	TI BAS.TER.BAL.
118	VP587700	KNOB	Ø16	BL REC
118	VP587800	KNOB	Ø16	TI REC
120	VH841900	BUTTON		BL PURE DIRECT
120	VP663400	BUTTON		TI PURE DIRECT
122	VM736600	BUTTON	3x14	BL SPEAKER
122	VP564500	BUTTON	3x14	TI SPEAKER
126	VK234600	PLATE SIDE		BL
126	VK234700	PLATE SIDE		TI
* 129	VP596200	FRAME		
* 132	VP859400	SHEET, PROTECTOR		
* 133	VP961500	DAMPER SHIELD		
135	CB099600	PLASTIC RIVET	No.920	
155	AA627310	GROUND TERMINAL		
156	ED330066	BIND HEAD SCREW	3x6 FCRM3-BL	
157	EN301010	BIND HEAD BONDING TAP. SCREW	3x8 FCRM3-BL	
158	E1330086	BIND HEAD B-TITE SCREW	3x8 FCRM3-BL	
159	VB770200	BW HEAD P-TITE SCREW	3x10-8 FCM3	
160	EX602240	BW HEAD TAPPING SCREW	3x10	
161	EN330060	BIND HEAD B-TITE SCREW	4x16 FCRM3-BL	
162	VL184400	BIND HEAD B-TITE SCREW	4x22 FCRM3-BL	
166	EX601850	SPECIAL SCREW S-TITE	4x8-10 FCRM3-BL	BL
166	EX601860	SPECIAL SCREW S-TITE	4x8-10 FNM3-BL	TI
168	EK365090	BW HEAD SCREW	4x8 ZMC2-BL	BL
168	EX601150	BW HEAD S-TITE SCREW	4x8-10 FNM3-BL	TI
		ACCESSORIES		
* 700	VP592500	REMOTE CONTROL TRANSMITTER	SBAR20015A 36KEY	
700-1	CX674370	LID	54x32.9N3ALPS	
	VQ147100	ANTENNA, FM	1.4m	
	VE366200	LOOP ANTENNA	AM	
		BATTERY, MANGANESE	SUM-3, AA, R06	

\* New Parts

A

B

C

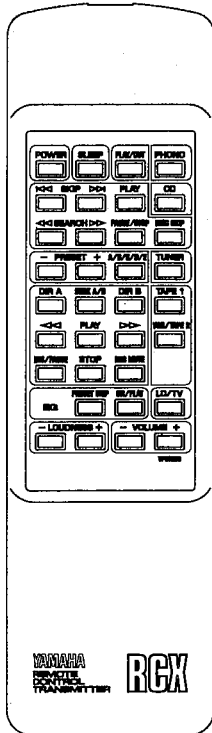
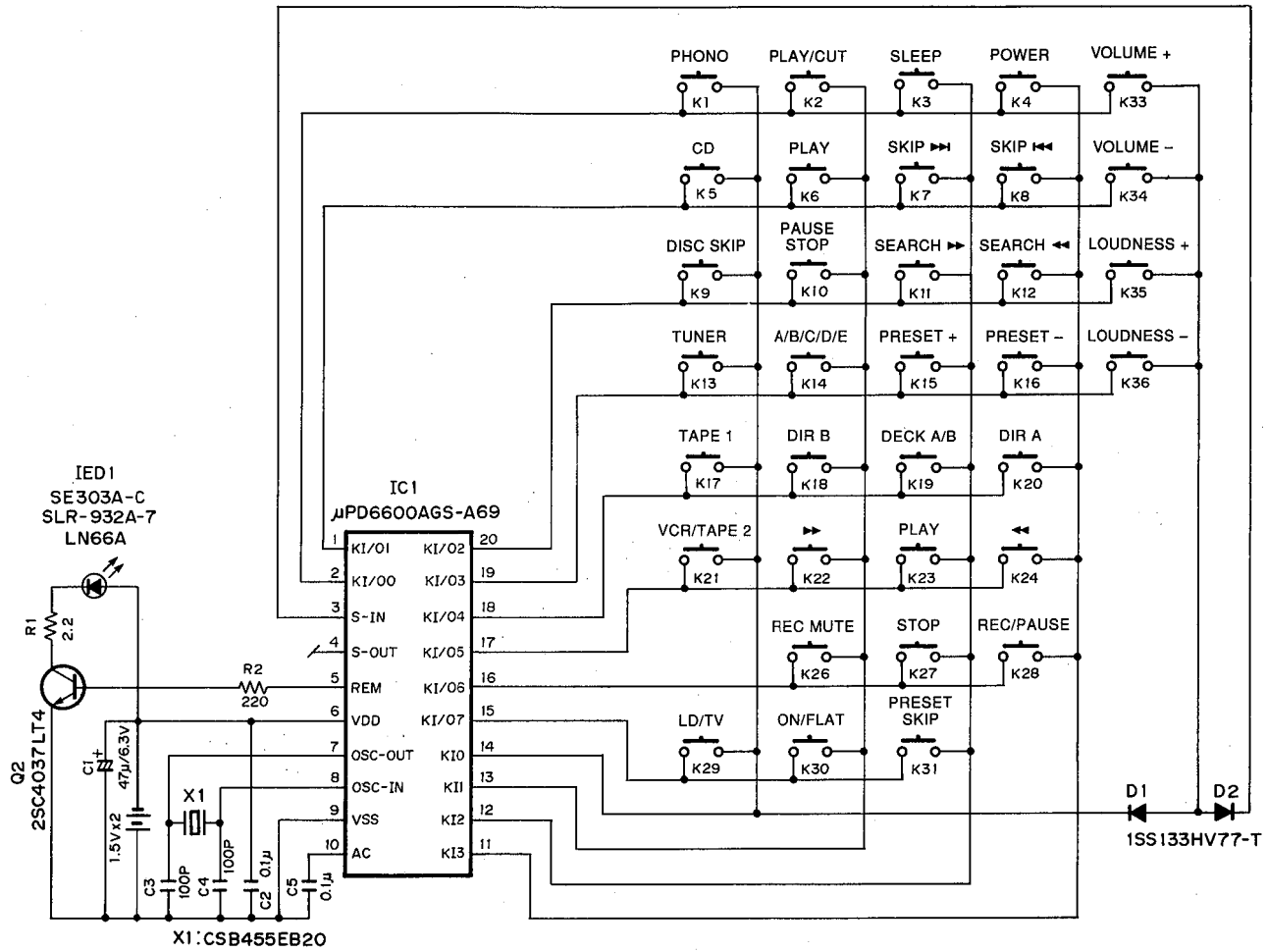
D

E

RX-770

# REMOTE CONTROL TRANSMITTER

## ■ SCHEMATIC DIAGRAM



KEY No.	FUNCTION	CUSTOM CODE	REVERSE CUSTOM CODE	DATA CODE	REMARKS							
					D0	D1	D2	D3	D4	D5	D6	D7
K1	PHONO	7A	85	14	0	0	1	0	1	0	0	0
K2	PLAY/CUT	7A	85	0E	0	1	1	1	0	0	0	0
K3	SLEEP	7A	85	57	1	1	1	0	1	0	1	0
K4	POWER	7A	85	1F	1	1	1	1	1	0	0	0
K5	CD	7A	85	15	1	0	1	0	1	0	0	0
K6	PLAY	7A	85	08	0	0	0	1	0	0	0	0
K7	SKIP ►►	7A	85	0A	0	1	0	1	0	0	0	0
K8	SKIP ◄◄	7A	85	0B	1	1	0	1	0	0	0	0
K9	DISC SKIP	7A	85	4F	1	1	1	1	0	0	1	0
K10	PAUSE STOP	7A	85	09	1	0	0	1	0	0	0	0
K11	SEARCH ►►	7A	85	0C	0	0	1	1	0	0	0	0
K12	SEARCH ◄◄	7A	85	0D	1	0	1	1	0	0	0	0
K13	TUNER	7A	85	16	0	1	1	0	1	0	0	0
K14	A/B/C/D/E	7A	85	12	0	1	0	0	1	0	0	0
K15	PRESET +	7A	85	10	0	0	0	0	1	0	0	0
K16	PRESET -	7A	85	11	1	0	0	0	1	0	0	0
K17	TAPE 1	7A	85	18	0	0	0	1	1	0	0	0
K18	DIR B	7A	85	40	0	0	0	0	0	0	1	0
K19	DECK A/B	7A	85	06	0	1	1	0	0	0	0	0
K20	DIR A	7A	85	07	1	1	1	0	0	0	0	0
K21	VCR/TAPE 2	7A	85	19	1	0	0	1	1	0	0	0
K22	►►	7A	85	02	0	1	0	0	0	0	0	0
K23	PLAY	7A	85	00	0	0	0	0	0	0	0	0
K24	◄◄	7A	85	01	1	0	0	0	0	0	0	0
K26	REC MUTE	7A	85	05	1	0	1	0	0	0	0	0
K27	STOP	7A	85	03	1	1	0	0	0	0	0	0
K28	REC/PAUSE	7A	85	04	0	0	1	0	0	0	0	0
K29	LD/TV	7A	85	17	1	1	1	0	1	0	0	0
K30	ON/FLAT	7A	85	5A	0	1	0	1	1	0	1	0
K31	PRESET SKIP	7A	85	5B	1	1	0	1	1	0	1	0
K33	VOLUME +	7A	85	1A	0	1	0	1	1	0	0	0
K34	VOLUME -	7A	85	1B	1	1	0	1	1	0	0	0
K35	LOUDNESS +	7A	85	1D	1	0	1	1	1	0	0	0
K36	LOUDNESS -	7A	85	1E	0	1	1	1	1	0	0	0

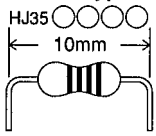
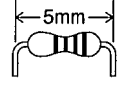


# Parts List for Carbon Resistors

Value	1/4W Type Part No.	1/6W Type Part No.	Value	1/4W Type Part No.	1/6W Type Part No.
1.0 Ω	HJ35 3100	HF85 3100	10 kΩ	HF45 7100	HF45 7100
1.8 Ω	HJ35 3180	*	11 kΩ	HF45 7110	HF45 7110
2.2 Ω	HJ35 3220	HF85 3220	12 kΩ	HJ35 7120	HF85 7120
3.3 Ω	HJ35 3330	HF85 3330	13 kΩ	HF45 7130	HF45 7130
4.7 Ω	HJ35 3470	HF85 3470	15 kΩ	HF45 7150	HF45 7150
5.6 Ω	HJ35 3560	HF85 3560	18 kΩ	HF45 7180	HF45 7180
10 Ω	HF45 4100	HF45 4100	22 kΩ	HF45 7220	HF45 7220
15 Ω	HJ35 4150	HF85 4150	24 kΩ	HF45 7240	HF45 7240
22 Ω	HF45 4220	HF45 4220	27 kΩ	HJ35 7270	HF85 7270
27 Ω	HJ35 4270	HF85 4270	30 kΩ	HF45 7300	HF45 7300
33 Ω	HF45 4330	HF45 4330	33 kΩ	HF45 7330	HF45 7330
39 Ω	HJ35 4470	HF85 4390	36 kΩ	HF45 7360	HF45 7360
47 Ω	HF45 4470	HF45 4470	39 kΩ	HF45 7390	HF45 7390
56 Ω	HF45 4560	HF45 4560	47 kΩ	HF45 7470	HF45 7470
68 Ω	HF45 4680	HF45 4680	51 kΩ	HF45 7510	HF45 7510
75 Ω	HF45 4750	HF45 4750	56 kΩ	HF45 7560	HF45 7560
82 Ω	HF45 4820	HF45 4820	62 kΩ	HF45 7620	HF45 7620
91 Ω	HF45 4910	HF45 4910	68 kΩ	HF45 7680	HF45 7680
100 Ω	HF45 5100	HF45 5100	82 kΩ	HF45 7820	HF45 7820
110 Ω	HJ35 5110	HF85 5110	91 kΩ	HF45 7910	HF45 7910
120 Ω	HF45 5120	HF45 5120	100 kΩ	HF45 8100	HF45 8100
150 Ω	HF45 5150	HF45 5150	110 kΩ	HF45 8110	HF45 8110
160 Ω	HJ35 5160	*	120 kΩ	HF45 8120	HF45 8120
180 Ω	HF45 5180	HF45 5180	150 kΩ	HF45 8150	HF45 8150
200 Ω	HF45 5200	HF45 5200	180 kΩ	HF45 8180	HF45 8180
220 Ω	HF45 5220	HF45 5220	220 kΩ	HJ35 8220	HF85 8220
270 Ω	HF45 5270	HF45 5270	270 kΩ	HF45 8270	HF45 8270
330 Ω	HF45 5330	HF45 5330	300 kΩ	HF45 8300	HF45 8300
390 Ω	HF45 5390	HF45 5390	330 kΩ	HF45 8330	HF45 8330
430 Ω	HF45 5430	HF45 5430	390 kΩ	HJ35 8390	HF85 8390
470 Ω	HF45 5470	HF45 5470	470 kΩ	HF45 8470	HF45 8470
510 Ω	HF45 5510	HF45 5510	560 kΩ	HJ35 8560	HF85 8560
560 Ω	HF45 5560	HF45 5560	680 kΩ	HJ35 8680	HF85 8680
680 Ω	HF45 5680	HF45 5680	820 kΩ	HJ35 8820	HF85 8820
820 Ω	HF45 5820	HF45 5820	1.0 MΩ	HF45 9100	HF45 9100
910 Ω	HF45 5910	HF45 5910	1.2 MΩ	HJ35 9120	*
1.0 kΩ	HF45 6100	HF45 6100	1.5 MΩ	HJ35 9150	HF85 9150
1.2 kΩ	HF45 6120	HF45 6120	1.8 MΩ	HJ35 9180	HF85 9180
1.5 kΩ	HF45 6150	HF45 6150	2.2 MΩ	HJ35 9220	HF85 9220
1.8 kΩ	HF45 6180	HF45 6180	3.3 MΩ	HJ35 9330	HF85 9330
2.0 kΩ	HJ35 6200	HF85 6200	3.9 MΩ	HJ35 9390	*
2.2 kΩ	HF45 6220	HF45 6220	4.7 MΩ	HJ35 9470	HF85 9470
2.4 kΩ	HJ35 6240	HF85 6240			
2.7 kΩ	HF45 6270	HF45 6270			
3.0 kΩ	HF45 6300	HF45 6300			
3.3 kΩ	HF45 6330	HF45 6330			
3.6 kΩ	HJ35 6360	HF85 6360			
3.9 kΩ	HF45 6390	HF45 6390			
4.7 kΩ	HF45 6470	HF45 6470			
5.1 kΩ	HF45 6510	HF45 6510			
5.6 kΩ	HF45 6560	HF45 6560			
6.8 kΩ	HF45 6680	HF45 6680			
8.2 kΩ	HF45 6820	HF45 6820			
9.1 kΩ	HF45 6910	HF45 6910			

**1/4W Type**  
HF45 ○○○○

**1/6W Type**  
HF85 ○○○○



# **RX-770**

---

# **YAMAHA**

**RX-770**

---